

Owner's Manual

CRAFTSMAN®

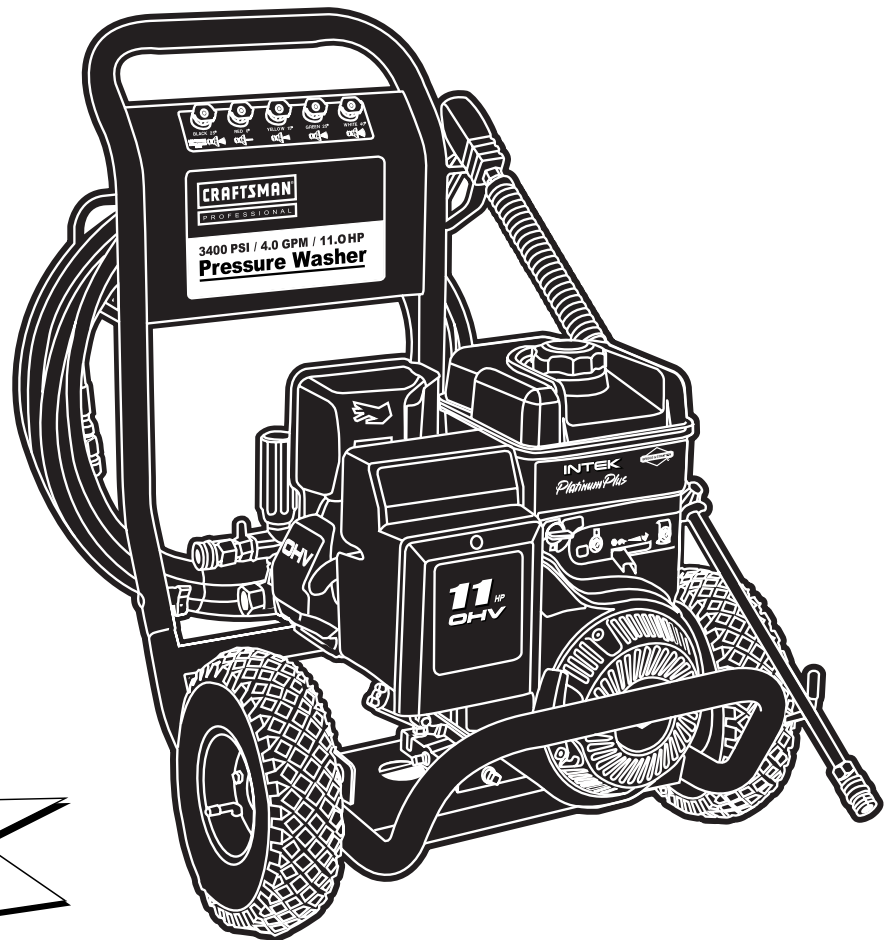
PRESSURE WASHER

11.0 HORSEPOWER

3400 PSI

4.0 GPM

Model No. 580.753400



PRESSURE WASHER
CUSTOMER HELPLINE
1-800-222-3136

HOURS: Mon. - Fri. 8 a.m. to 5 p.m. (CT)

CAUTION: Before using this product, read this manual and follow all Safety Rules and Operating Instructions.

SEARS, ROEBUCK and CO., Hoffman Estates, IL 60179 U.S.A.
Visit our Craftsman website: www.sears.com/craftsman

- Safety
- Assembly
- Operation
- Maintenance
- Parts
- Español



TABLE OF CONTENTS

WARRANTY	2	STORAGE	15-16
SAFETY RULES	2-3	TROUBLESHOOTING	17
ASSEMBLY	4-6	REPLACEMENT PARTS	18-25
OPERATION	7-10	EMISSION CONTROL WARRANTY	26
MAINTENANCE	11-14	ESPAÑOL	27-43
SPECIFICATIONS	11	HOW TO ORDER PARTS	BACK PAGE

WARRANTY

LIMITED WARRANTY ON CRAFTSMAN PRESSURE WASHER

For one year from the date of purchase, when this Craftsman pressure washer is maintained and operated according to the instructions in the owner's manual, Sears will repair, free of charge, any defect in material and workmanship.

If this washer is used for commercial purposes, this warranty applies for only 90 days from the date of purchase. If this pressure washer is used for rental purposes, this warranty applies for only 30 days after date of purchase.

This warranty does not cover:

- Expendable items such as spark plugs or air filters, which become worn during normal use.
- Repairs necessary because of operator abuse or negligence, including damage resulting from no water being supplied to pump or failure to maintain the equipment according to the instructions contained in the owner's manual.

Warranty service is available by returning the pressure washer to the nearest Sears service center or dealer in the United States.

This warranty gives you specific legal rights and you may also have other rights, which vary from state to state.

Sears, Roebuck and Co., Dept. 817WA, Hoffman Estates, IL 60179

SAFETY RULES



This is the safety alert symbol. It is used to alert you to potential personal injury hazards. Obey all safety messages that follow this symbol to avoid possible injury or death.



Read this manual carefully and become familiar with your pressure washer. Know its applications, its limitations, and any hazards involved.


The safety alert symbol (▲) is used with a signal word (DANGER, CAUTION, WARNING), a pictorial and/or a safety message to alert you to hazards. **DANGER** indicates a hazard which, if not avoided, *will* result in death or serious injury. **WARNING** indicates a hazard which, if not avoided, *could* result in death or serious injury. **CAUTION** indicates a hazard which, if not avoided, *might* result in minor or moderate injury. **CAUTION**, when used **without** the alert symbol, indicates a situation that could result in equipment damage. Follow safety messages to avoid or reduce the risk of injury or death.

Hazard Symbols and Meanings


Toxic Fumes	Electrical Shock
Slippery Surface	Fall
Fire	Fluid Injection
Explosion	Hot Surface
Moving Parts	Flying Objects
	Kickback

In the State of California a spark arrester is required by law (Section 4442 of the California Public Resources Code). Other states may have similar laws. Federal laws apply on federal lands. If you equip the muffler with a spark arrester, it must be maintained in effective working order. You can order a spark arrester through your authorized Sears service dealer.



WARNING
The engine exhaust from this product contains chemicals known to the State of California to cause cancer, birth defects, or other reproductive harm.

DANGER

 Running engine gives off carbon monoxide, an odorless, colorless, poison gas. Some chemicals or detergents may be harmful if inhaled or ingested, causing severe nausea, fainting or poisoning. Breathing carbon monoxide will cause nausea, fainting or death.



- Operate pressure washer ONLY outdoors.
- Use a respirator or mask whenever there is a chance that vapors may be inhaled.
- Read all instructions packed with mask so you are certain mask will provide necessary protection against inhaling harmful vapors.

WARNING

 Spray contact with electrical wiring can result in electrocution.

- Keep water spray away from electric wiring or fatal electric shock may result.

WARNING

 Use of pressure washer can create puddles and slippery surfaces.

 High pressure spray could cause you to fall if you are too close to the cleaning surface.

- Keep spray nozzle between 8 to 24 inches away from cleaning surface.
- Operate this unit on a stable surface.
- Cleaning area should have adequate slopes and drainage to reduce possibility of falls due to slippery surfaces.
- Be extremely careful if you must use pressure washer from a ladder, scaffolding or any other relatively unstable location.
- Firmly grasp spray gun with both hands when using high pressure spray to avoid injury if gun kicks back.

WARNING

 Fuel and its vapors are extremely flammable and explosive.

 Fire or explosion can cause severe burns or death.

WHEN ADDING FUEL

- Turn pressure washer OFF and let it cool at least 2 minutes before removing gas cap.
- Fill fuel tank outdoors.
- DO NOT overfill tank. Allow space for fuel expansion.
- Keep fuel away from sparks, open flames, pilot lights, heat, and other ignition sources.
- DO NOT light a cigarette or smoke.

WHEN OPERATING EQUIPMENT


- DO NOT tip engine or equipment at angle which causes fuel to spill.
- DO NOT spray flammable liquids.

WHEN TRANSPORTING OR REPAIRING EQUIPMENT



- Transport/repair with fuel tank EMPTY or with fuel shutoff valve OFF.

WHEN STORING FUEL OR EQUIPMENT WITH FUEL IN TANK

- Store away from furnaces, stoves, water heaters, clothes dryers or other appliances that have pilot light or other ignition source because they can ignite fuel vapors.

WARNING

 The high pressure stream of water that this equipment produces can pierce skin and its underlying tissues, leading to serious injury and possible amputation.

- NEVER aim spray gun at people, animals or plants.
- DO NOT allow CHILDREN to operate pressure washer.
- NEVER repair high pressure hose. Replace it.
- Keep high pressure hose connected to pump and spray gun while system is pressurized.

WARNING

 Running engines produce heat and hot exhaust gases. Temperature of muffler and nearby areas can reach or exceed 150°F (65°C).

 Fire or severe burns can occur.


- DO NOT touch hot surfaces.
- Stay clear of exhaust gases.
- Allow equipment to cool before touching.

⚠ WARNING

 Starter and other rotating parts can entangle hands, hair, clothing, or accessories.

- DO NOT wear loose clothing, jewelry or anything that may be caught in starter or other rotating parts.
- Tie up long hair and remove jewelry.

⚠ WARNING

 Unintentional sparking can result in fire or electric shock.

WHEN ADJUSTING OR MAKING REPAIRS TO YOUR PRESSURE WASHER

- Disconnect spark plug wire from spark plug and place wire where it cannot contact spark plug.

⚠ WARNING

 High pressure spray can cause paint chips or other particles to become airborne.

- Always wear eye protection when using equipment or when in vicinity of equipment in use.

⚠ CAUTION

Excessively high or low operating speeds increase risk of injury and damage to pressure washer.

- DO NOT tamper with governed speed.
- DO NOT operate pressure washer above rated pressure.

⚠ CAUTION

A pressure washer produces a high pressure spray which increases risk of injury and damage to unit.

- DO NOT secure spray gun in open position.
- DO NOT leave spray gun unattended while machine is running.
- NEVER use a spray gun which does not have a trigger lock or trigger guard in place and in working order.
- Always be certain spray gun, nozzles and accessories are correctly attached.

CAUTION

High pressure spray may damage fragile items including glass.

- DO NOT point spray gun at glass when in jet spray mode.
- NEVER aim spray gun at plants.

CAUTION

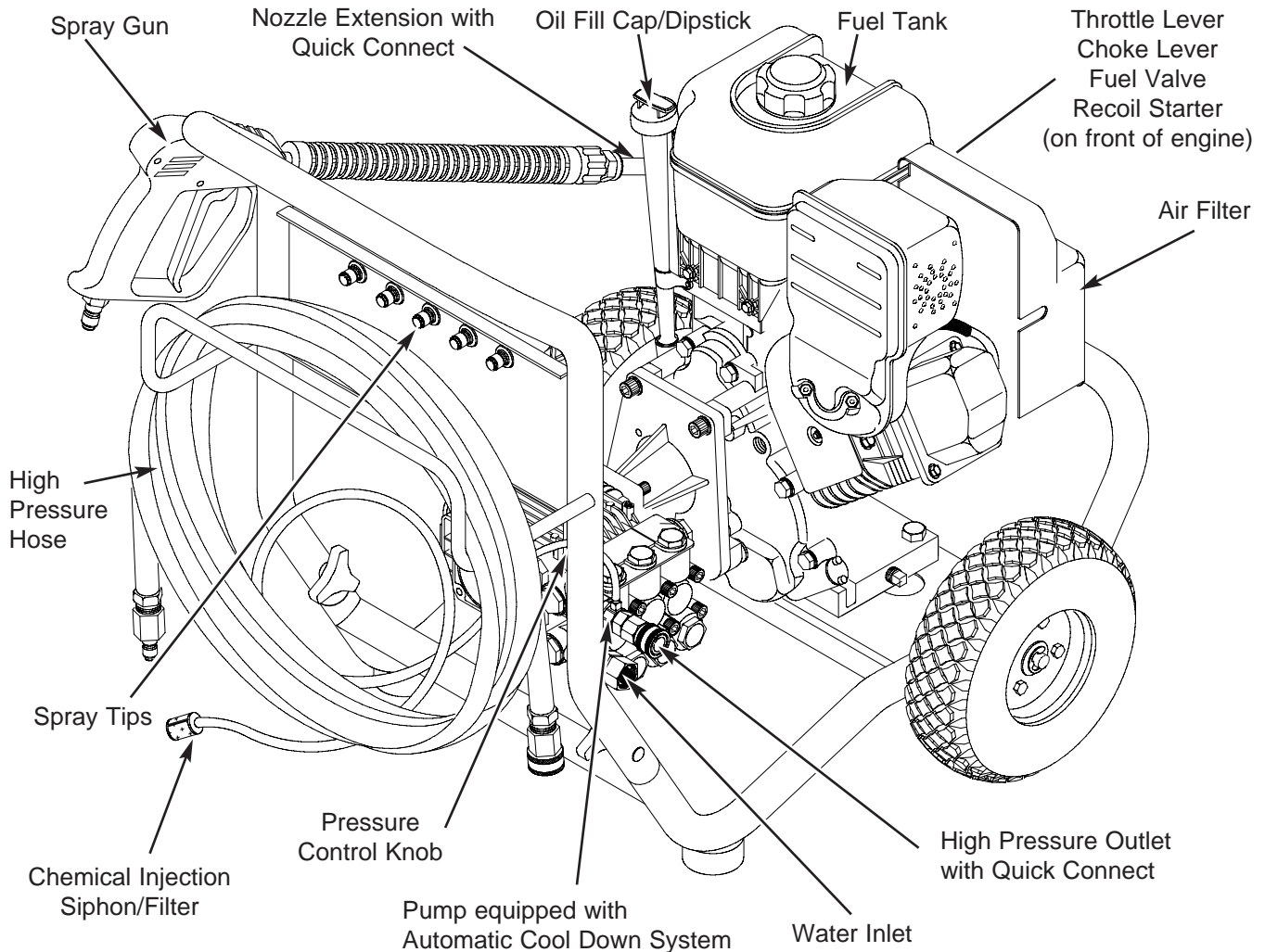
Improper treatment of pressure washer can damage it and shorten its life.

- If you have questions about intended use, ask dealer or contact Sears.
- NEVER operate units with broken or missing parts, or without protective housing or covers.
- DO NOT by-pass any safety device on this machine.
- Before starting pressure washer in cold weather, check all parts of the equipment to be sure ice has not formed there.
- NEVER move machine by pulling on high pressure hose. Use handle provided on unit.
- Check fuel system for leaks or signs of deterioration, such as chafed or spongy hose, loose or missing clamps, or damaged tank or cap. Correct all defects before operating pressure washer.
- This equipment is designed to be used with Sears authorized parts **ONLY**. If equipment is used with parts that DO NOT comply with minimum specifications, user assumes all risks and liabilities.

KNOW YOUR PRESSURE WASHER

Read the owner's manual and safety rules before operating your pressure washer.

Compare the illustrations with your pressure washer to familiarize yourself with the locations of various controls and adjustments. Save this manual for future reference.



Air Filter — Protects engine by filtering dust and debris out of intake air.

Automatic Cool Down System — Cycles water through pump when water reaches 125°-155°F. Warm water will discharge from pump onto ground. This system prevents internal pump damage.

Chemical Injection Siphon/Filter — Use to siphon detergent or other pressure washer chemicals into the low pressure stream.

Choke Lever — Prepares a cold engine for starting.

Fuel Valve — Used to turn fuel on and off to engine.

Fuel Tank — Fill tank with regular unleaded gasoline. Always leave room for fuel expansion.

High Pressure Hose — Connect one end to the water pump and the other end to the spray gun.

High Pressure Outlet with Quick Connect — To connect high pressure hose.

Nozzle Extension with Quick Connect — Allows you to switch between five different spray tips.

Oil Fill Cap/Dipstick — Check and fill engine with oil here.

Pressure Control Knob — Varies the pressure of the high pressure spray.

Pump — Develops high pressure.

Recoil Starter — Use for starting the engine manually.

Spray Gun — Controls the application of water onto cleaning surface with trigger device. Includes safety latch.

Spray Tips — Chemical injection, 0°, 15°, 25°, and 40°: for various cleaning applications.

Throttle Lever—Sets engine in starting mode for recoil starter.

Water Inlet — Connect garden hose here.

ASSEMBLY

Your pressure washer requires some assembly and is ready for use only after it has been properly serviced with the recommended oil and fuel.

If you have any problems with the assembly of your pressure washer, please call the pressure washer helpline at 1-800-222-3136.

IMPORTANT: Any attempt to run the engine before it has been serviced with the recommended oil will result in an engine failure.

REMOVE PRESSURE WASHER FROM CARTON

- Remove the parts bag packed with pressure washer.
- Slice two corners at the end of carton from top to bottom so the panel can be folded down flat, then remove all packing material.
- Roll pressure washer out of carton.
- Check carton for additional loose parts.

CARTON CONTENTS

Check all contents. If any parts are missing or damaged, call the pressure washer helpline at **1-800-222-3136**.

- The Main Unit
- Handle
- High Pressure Hose
- Spray Gun
- Nozzle Extension with Quick Connect Fitting
- Oil Bottles (2)
- Parts Bag (which includes the following):
 - Owner's Manual
 - Owner's Registration Card
 - Bag containing 5 multi-colored Quick Connect Spray Tips
 - Handle Fastening Hardware Kit (which includes):
 - Carriage Bolts (2)
 - Plastic Knobs (2)

Become familiar with each piece before assembling the pressure washer. Check all contents against the illustration shown on page 5. If any parts are missing or damaged, call the pressure washer helpline at **1-800-222-3136**.

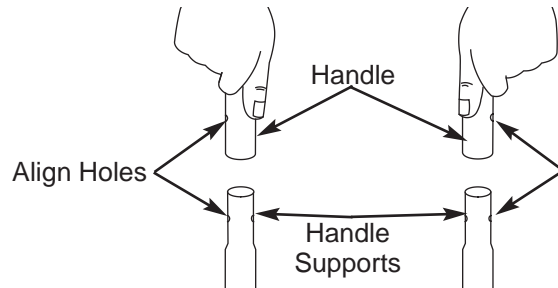
ASSEMBLING YOUR PRESSURE WASHER

The majority of your Craftsman pressure washer was assembled at the factory. However, you will need to perform these tasks before you can operate your pressure washer:

1. Fill out and send in registration card.
2. Attach handle to main unit.
3. Remove shipping cap and install dipstick in pump.
4. Add oil to engine crankcase.
5. Add fuel to fuel tank.
6. Connect high pressure hose to spray gun and pump.
7. Connect water supply to pump.
8. Attach nozzle extension to spray gun.
9. Select/attach quick connect spray tip to nozzle extension.

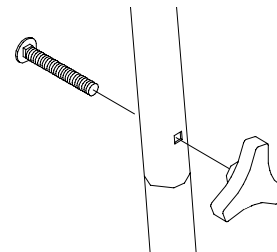
Attach Handle

1. Place handle assembly onto handle supports connected to main unit. Make sure holes in handle align with holes on handle supports.



NOTE: It may be necessary to move the handle supports from side to side in order to align the handle so it will slide over the handle supports.

2. Insert carriage bolts through holes from outside of unit and attach plastic knob from inside of unit. Tighten by hand.



3. Insert multi-colored nozzles in spaces provided in handle.

Install Oil Dipstick on Pump

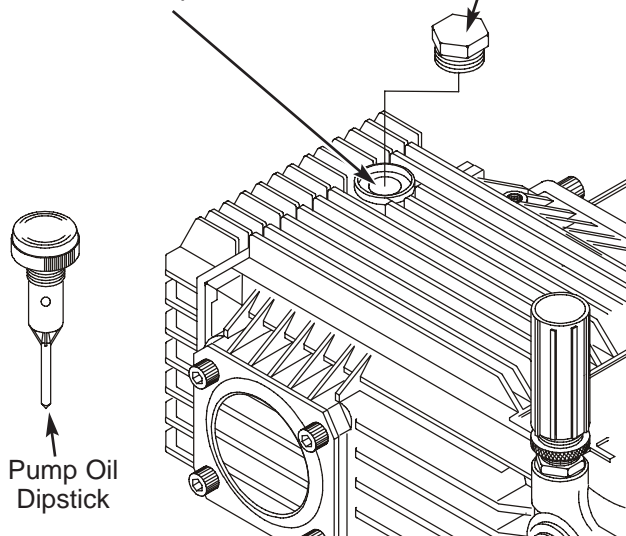
CAUTION! You **MUST** remove the pump's shipping cap and install the oil dipstick. Failure to do so will void the warranty and damage the pump.

To install the oil dipstick:

1. Make sure unit is on a level surface.
2. Remove and discard shipping cap located on pump.

Remove shipping cap and install oil dipstick here.

Shipping Cap



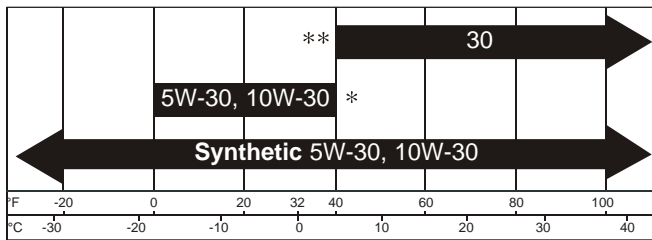
3. Install oil dipstick.

Add Engine Oil

IMPORTANT: Any attempt to crank or start the engine before it has been properly serviced with the recommended oil may result in an engine failure.

NOTE: When adding oil to the engine crankcase, use only high quality detergent oil rated with API service classification SF, SG, SH, SJ or higher rated SAE 30 weight. **DO NOT** use special additives.

1. Choose a viscosity according to the table below:

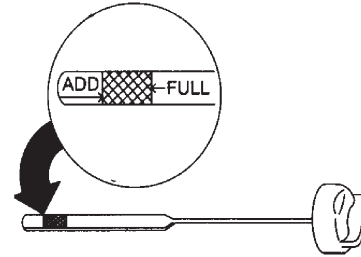


* The use of multi-viscosity oils (5W-30, 10W-30, etc.) in temperatures above 40°F (4°C) will result in higher than normal oil consumption. When using a multi-viscosity oil, check oil more frequently.

** If using SAE 30 oil in temperatures below 40°F (4°C), it will result in hard starting and possible engine bore damage due to inadequate lubrication.

2. Place pressure washer on a level surface.
3. Clean area around oil fill and remove oil dipstick.

3. Wipe dipstick clean. Pour oil into oil fill opening.
4. Replace and tighten dipstick, remove and check oil level. Oil should be at "Full" mark on the dipstick. **DO NOT OVERFILL.**



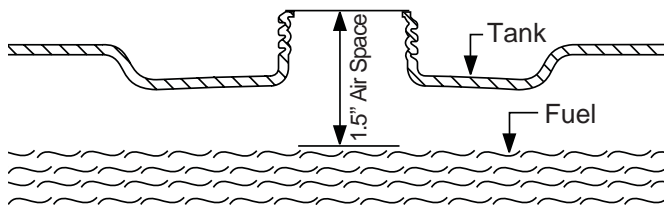
5. Install oil dipstick, hand tighten securely.

Add Gasoline

WARNING! NEVER fill fuel tank indoors. NEVER fill fuel tank when engine is running or hot. Allow unit to cool for two minutes before refueling. **DO NOT** light a cigarette or smoke when filling the fuel tank.

WARNING! NEVER fill fuel tank completely full. Provide space for fuel expansion. Wipe away any fuel spillage from engine and equipment before starting.

1. Use fresh, clean unleaded automotive gasoline and store in approved, clean, covered containers. Use clean fill funnels. NEVER use "stale" gasoline left over from last season or gasoline stored for long periods.
2. Clean area around fuel fill cap, remove cap.
3. Slowly add gasoline to fuel tank. Use a funnel to prevent spillage. Fill tank to about 1.5" below top of the filler neck to allow for fuel expansion.



4. Install fuel cap and wipe up any spilled gasoline.

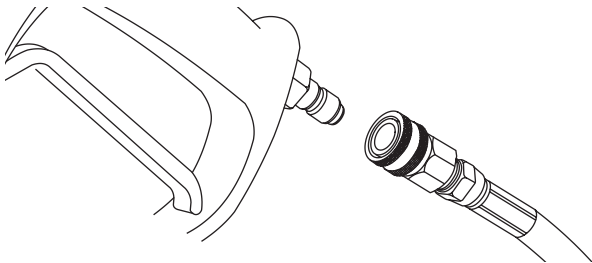
IMPORTANT: It is important to prevent gum deposits from forming in essential fuel system parts, such as the carburetor, fuel filter, fuel hose or tank during storage. Also, experience indicates that alcohol-blended fuels (called gasohol, ethanol or methanol) can attract moisture, which leads to separation and formation of acids during storage. Acidic gas can damage the fuel system of an engine while in storage.

To avoid engine problems, the fuel system should be emptied before storage of 30 days or longer. See "Storage" on page 16. NEVER use engine or carburetor cleaner products in the fuel tank or permanent damage may occur.

Connect Hose and Water Supply to Pump

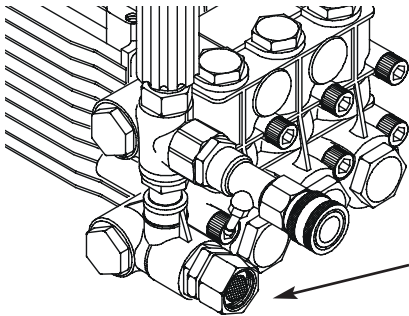
IMPORTANT: To avoid pump damage, you must assemble the nozzle extension to the spray gun and attach all hoses before you start the engine.

1. Uncoil high pressure hose and attach quick connect end of hose to base of spray gun. Pull down on collar of quick connect, slide onto spray gun and let go of collar. Tug on hose to be sure of tight connection.



NOTE: Remove and discard all pump shipping caps before attaching hoses.

2. Similarly, attach other end of high pressure hose to high pressure outlet on pump. Pull down on collar of quick connect, slide onto pump and let go of collar. Pull on hose to be sure of tight connection.
3. Before you connect your garden hose to water inlet, inspect inlet screen. Clean screen if it contains debris, replace if damaged. **DO NOT RUN PRESSURE WASHER IF SCREEN IS DAMAGED.**



Inspect inlet screen. **DO NOT** use if damaged; clean if dirty.

4. Run water through garden hose for 30 seconds to clean out any debris. Turn off water.

IMPORTANT: DO NOT siphon standing water for the water supply. Use **ONLY** cold water (less than 100°F).

5. Connect garden hose (not to exceed 50 feet in length) to water inlet. Tighten by hand.

CAUTION! There **MUST** be at least ten feet of unrestricted garden hose between the pressure washer inlet and any flow shut off device, such as a 'Y' shut-off connector or other convenience-type water shut-off valve. Damage to pressure washer resulting from disregarding this caution will not be covered by the warranty.

6. Turn **ON** water and squeeze trigger on spray gun to purge pump system of air and impurities.



CAUTION! Before starting the pressure washer, be sure you are wearing adequate eye protection.

Checklist Before Starting Engine

Review the assembled unit to ensure you have performed all of the following:

1. Make sure handle is in place and secure.
2. Make sure shipping cap was removed and oil distick was installed in pump.
3. Check that oil has been added to proper level in engine crankcase.
4. Add proper fuel to fuel tank.
5. Check for properly attached hose connections.
6. Check to make sure there are no kinks, cuts, or damage to high pressure hose.
7. Provide a proper water supply at an adequate flow.
8. Be sure to read "Safety Rules" and "How To Use Pressure Washer" before using pressure washer.

OPERATION

HOW TO USE PRESSURE WASHER

If you have any problems operating your pressure washer, please call the pressure washer helpline at 1-800-222-3136.

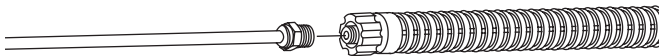
To Start Pressure Washer

To start your engine-powered pressure washer for the first time, follow these instructions step-by-step. This starting information also applies whenever you start the engine after you have let the pressure washer sit idle for at least a day.

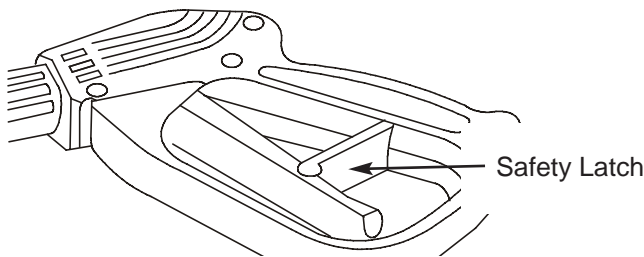
1. Place pressure washer near an outside water source capable of supplying water at a flow rate greater than 5.0 gallons per minute and no less than 20 PSI at pressure washer end of garden hose.
2. Check that high pressure hose is tightly connected to spray gun and pump. See "Assembling Your Pressure Washer" for illustrations.
3. Make sure unit is in a level position.
4. Connect garden hose to water inlet on pressure washer pump. **Turn ON the water.**

CAUTION! DO NOT run the pump without the water supply connected and turned on. You must follow this caution or the pump will be damaged.

5. Squeeze trigger on gun to purge pump system of air and impurities.
6. Attach nozzle extension to spray gun. Tighten by hand.

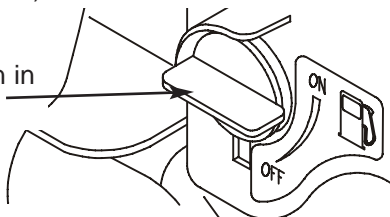


7. Choose spray tip you want to use and insert it into nozzle extension. See "How to Use Spray Tips".
8. Engage safety latch to spray gun trigger.

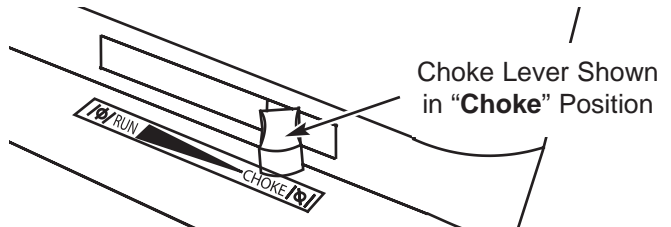


9. Rotate fuel shut-off valve to "On" position (fully counter-clockwise).

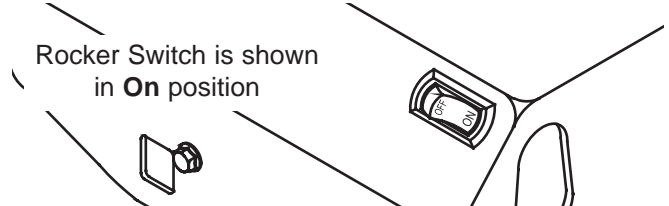
Fuel Valve shown in "On" position



10. Move choke lever to "Choke" position.



11. Set rocker switch to "On" position.



NOTE: For a warm engine, be sure the choke lever is in the "Run" position.

12. Grasp handle and pull recoil starter lightly until you feel some resistance, then pull briskly.
13. Return recoil starter slowly. DO NOT let rope "snap back" against starter.
14. When engine starts, slowly move choke lever to "Run" position as engine warms. If engine falters, move choke lever to "Choke" position, then to the "Run" position.
15. If engine fires, but does not continue to run, squeeze trigger on spray gun to relieve internal pump pressure. Move choke lever to the "Run" position, and repeat steps 12 through 14.
16. If engine fails to start after six pulls, move choke lever to "Run" position, and repeat steps 12 through 14.

NOTE: If the recoil starter is hard to pull, it may be necessary to squeeze the gun trigger to relieve internal pump pressure.



CAUTION

Avoid injury from kickback.

- Squeeze trigger on spray gun each time recoil starter is pulled and engine fails to start.

How to Stop Your Pressure Washer

1. Move rocker switch to "Off" position.
2. Turn fuel shut-off valve to "Off" position (fully clockwise).
3. **Squeeze trigger on the spray gun to relieve pressure in the hose.**

NOTE: A small amount of water will squirt out when you release the pressure.

How to Use Spray Tips



CAUTION! NEVER exchange spray tips without locking safety latch on trigger.

The nozzle extension quick-connect allows the use of several different spray tips. Each spray tip provides a different spray pattern.

Follow these instructions to change spray tips:

1. Engage safety latch on spray gun.
2. Pull back collar on quick-connect and pull current spray tip off.
3. Select desired spray tip:
 - For gentle rinse, select white 40° or green 25° spray tip.
 - To scour surface, select yellow 15° or red 0° spray tip.
 - To apply chemical, select black spray tip.
4. Pull back on collar, insert new spray tip and release collar. Tug on spray tip to make sure it is securely in place.
5. For most effective cleaning, keep spray tip from 8 to 24 inches away from cleaning surface. **DO NOT** get closer than 6 inches when cleaning automobile tires.

Cleaning and Applying Chemical

CAUTION! You must **attach all hoses** before you start the engine. Starting the engine without all the hoses connected and without the water turned ON will damage the pump.

IMPORTANT: Use soaps designed specifically for pressure washers. Household detergents could damage the pump.

To apply detergent follow these steps:

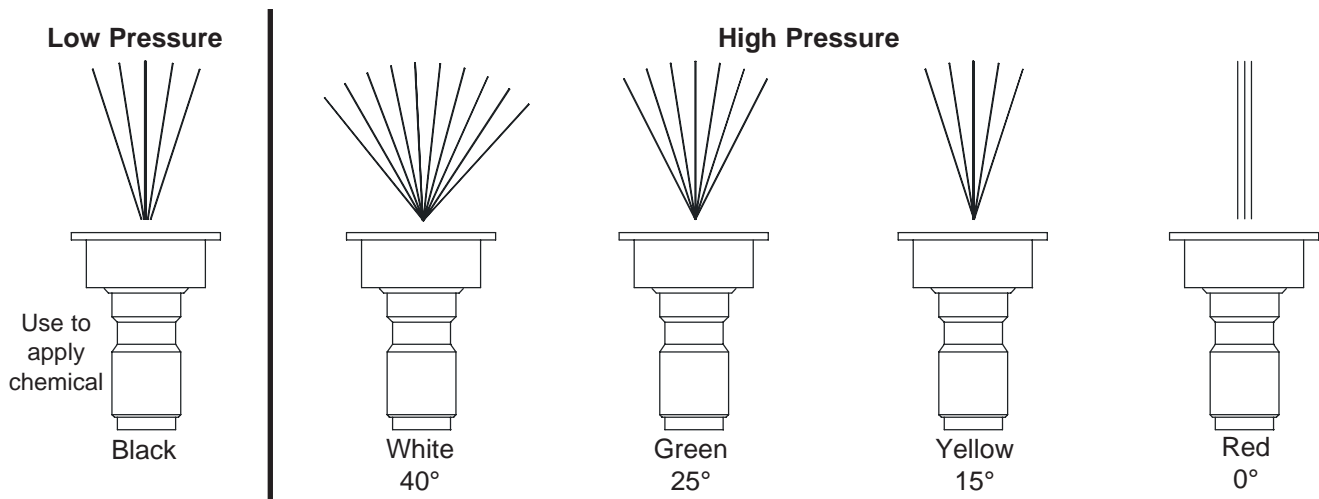
1. Review spray tip use.
2. Prepare detergent solution as required by manufacturer.
3. Place small filter end of detergent siphoning tube into detergent container.

CAUTION! Keep the chemical injection tube from coming in contact with the hot muffler.

4. Make sure black spray tip is installed.

NOTE: Detergent cannot be applied with the high pressure spray tips (White, Green, Yellow, or Red).

5. Make sure garden hose is connected to water inlet. Check that high pressure hose is connected to spray gun and pump; start engine.
6. Apply detergent to a dry surface, starting at lower portion of area to be washed and work upward, using long, even, overlapping strokes.
7. Allow detergent to soak in between 3–5 minutes before washing and rinsing. Reapply as needed to prevent surface from drying. **DO NOT** allow detergent to dry on (prevents streaking).



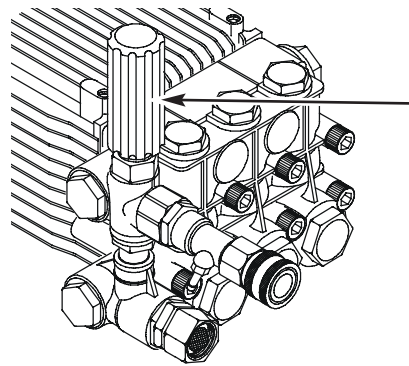
Pressure Washer Rinsing



WARNING! Be extremely careful if you must use the pressure washer from a ladder, scaffolding or any other relatively unstable location. When you press the trigger, the recoil from the initial spray can be very strong. The high pressure spray could cause you to fall if you are too close to the cleaning surface.

After you have applied detergent, scour the surface and rinse it clean as follows:

1. Apply safety latch to spray gun.
2. Remove black chemical spray tip from nozzle extension.
3. Select and install desired high pressure spray tip following instructions in "How to Use Spray Tips".
4. Keep spray gun a safe distance from area you plan to spray.
5. Increase or decrease spray pressure by turning pressure control knob counterclockwise or clockwise respectively. Use lower pressure to wash items such as a car or boat. Use higher pressure to strip paint and degrease driveways.



Pressure Control Knob



CAUTION! Firmly grasp spray gun with both hands when using high pressure spray to avoid injury if gun kicks back.

6. Apply high pressure spray to small area and check surface for damage. If no damage is found, assume it is okay to continue rinsing.
7. Start at top of area to be rinsed, working down with same overlapping strokes as used for cleaning.

Automatic Cool Down System (Thermal Relief)

If you run the engine on your pressure washer for 3-5 minutes without pressing the trigger on the spray gun, circulating water in the pump can reach temperatures above 125°F. The system engages to cool the pump by **discharging the warm water onto the ground.**

MAINTENANCE

OWNER'S RESPONSIBILITIES

Follow the hourly or calendar intervals, whichever occurs first.

More frequent service is required when operating in adverse conditions noted below.

MAINTENANCE SCHEDULE FILL IN DATES AS YOU COMPLETE REGULAR SERVICE	HOURLY OPERATING INTERVAL					SERVICE DATES	
	Before Each Use	Every 25 Hours or Yearly	Every 50 Hours or Yearly	Every 100 Hours or Yearly	Every 200 Hours or 3 Months		
PRESSURE WASHER							
Check/clean water inlet screen	X ¹						
Check high pressure hose	X						
Check detergent hose	X						
Check spray gun and assembly for leaks	X						
Purge pump of air and contaminants	X						
Change pump oil					X ⁴		
Prepare pump for storage below 32°F	See "Storage" on page 16.						
ENGINE							
Check oil level	X						
Change engine oil			X ²				
Service pre-cleaner air cleaner		X ³					
Service air cleaner cartridge				X ³			
Service spark plug				X			
Service spark arrester			X				
Prepare for storage	If unit is to remain idle for longer than 30 days.						

¹ Clean if clogged. Replace if perforated or torn.

² Change oil after the first (5) operating hours and every 50 hours or every year, whichever occurs first, thereafter.
Change sooner when operating under dirty or dusty conditions.

³ Replace more often under dirty or dusty conditions.

⁴ Change oil after the first (50) operating hours and every 200 hours or 3 months, whichever occurs first, thereafter.

PRODUCT SPECIFICATIONS

Pressure Washer Specifications

Pressure 3400 PSI
 Flow Rate 4.0 GPM
 Chemical Mix Use as directed
 Water Supply Temperature Not to Exceed 100°F
 Shipping Weight 116 lbs.

Engine Specifications

Rated Horsepower 11.0 HP
 Spark Plug Type:
 Resistor Champion RC12YC
 Long Life Platinum Champion RC12PYP
 Set Gap To: 0.030 inches (0.76 mm)
 Gasoline Capacity 4.0 Quarts
 Oil
 Above 40°F SAE 30
 0°F - 40°F SAE 5W-30 or 10W-30

GENERAL RECOMMENDATIONS

The pressure washers warranty does not cover items that have been subjected to operator abuse or negligence. To receive full value from the warranty, the operator must maintain pressure washer as instructed in this manual including proper storage as detailed in "Storage" on page 16.

Some adjustments will need to be made periodically to properly maintain your pressure washer.

All service and adjustments should be made at least once each season. Follow the requirements in the "Maintenance Schedule" chart above.

NOTE: Once a year you should clean or replace the spark plug and replace the air filter. A new spark plug and clean air filter assure proper fuel-air mixture and help your engine run better and last longer.

BEFORE EACH USE

1. Check engine oil level.
2. Check water inlet screen for damage.
3. Check in-line filter for damage.
4. Check high pressure hose for leaks.
5. Check detergent siphoning tube and filter for damage.
6. Check spray gun and nozzle extension assembly for leaks.
7. Rinse out garden hose to flush out debris **before** connecting to pressure washer.

PRESSURE WASHER MAINTENANCE

Check and Clean Inlet Screen

Examine garden hose inlet screen. Clean if it is clogged or replace if it is torn.

Check High Pressure Hose

High pressure hoses can develop leaks from wear, kinking, or abuse. Inspect hose before each use. Check for cuts, leaks, abrasions, bulging of cover, or damage or movement of couplings. If any of these conditions exist, replace hose immediately.



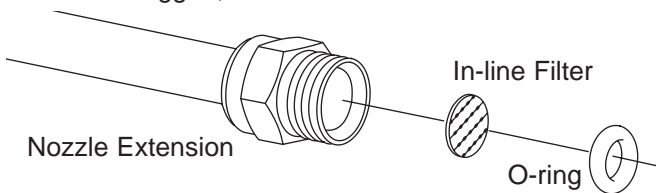
CAUTION! NEVER repair a high pressure hose. Replace with hose that exceeds the maximum pressure rating of your pressure washer.

Check Spray Gun and Nozzle Extension

Examine hose connection to spray gun and make sure it is secure. Test trigger by pressing it and making sure it springs back into place when you release it. Engage safety latch and test trigger. You should not be able to press trigger. Replace spray gun immediately if it fails any of these tests.

Check In-Line Filter

Refer to the illustration and service the in-line filter if it becomes clogged, as follows:



1. Detach spray gun and nozzle extension from high pressure hose. Detach nozzle extension from spray gun and remove o-ring and screen from nozzle extension. Flush screen, spray gun, and nozzle extension with clean water to clear debris.
2. Place in-line filter screen into threaded end of nozzle extension. Direction does not matter. Push screen in with eraser end of pencil until it rests flat at bottom of opening. Take care not to bend screen.
3. Place o-ring into recess. Push o-ring snugly against in-line filter screen.
4. Assemble nozzle extension to spray gun, as described earlier in this manual.

Purge Pump of Air and Contaminants

To remove air from the pump, follow these steps:

1. Set up pressure washer as described in ASSEMBLY section and connect water supply.
2. Pull trigger on spray gun and hold until a steady stream of water appears.

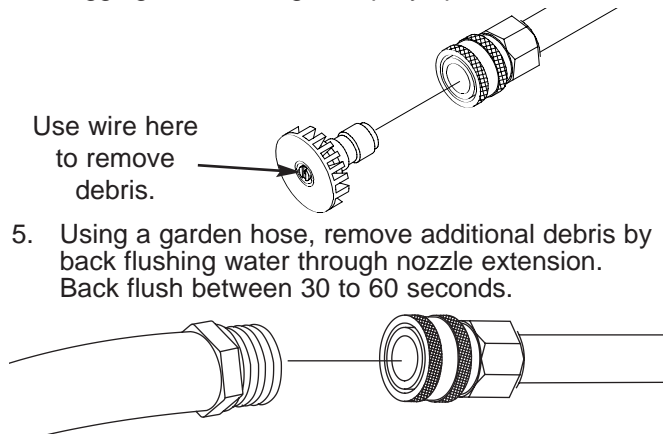
To remove contaminants from the pump, follow these steps:

1. Set up pressure washer as described in ASSEMBLY section, and connect water supply.
2. Remove nozzle extension from spray gun.
3. Start engine according to instructions in OPERATION section.
4. Pull trigger on spray gun and hold.
5. When water supply is steady and constant, engage safety latch and refasten nozzle extension.

Nozzle Maintenance

A pulsing sensation felt while squeezing the spray gun trigger may be caused by excessive pump pressure. The principal cause of excessive pump pressure is a spray tip clogged or restricted with foreign materials, such as dirt, etc. To correct the problem, immediately clean the spray tip using the tools included with your pressure washer and follow these instructions:

1. Shut off engine and turn off water supply.
2. Remove spray tip from end of nozzle extension.
3. Remove in-line filter from other end of nozzle extension.
4. Use a small paper clip to free any foreign material clogging or restricting the spray tip.



5. Using a garden hose, remove additional debris by back flushing water through nozzle extension. Back flush between 30 to 60 seconds.

6. Reinstall spray tip and in-line filter into nozzle extension.
7. Reconnect nozzle extension to spray gun.
8. Reconnect water supply, turn on water, and start engine.
9. Test pressure washer by operating with each Quick Connect spray tips.

O-Ring Maintenance

Purchase an O-Ring Repair Kit, item number 7175116, at your local Sears or by calling **1-800-366-PART** or online at www.sears.com. It is not included with the pressure washer. This kit includes replacement o-rings, rubber washer and water inlet filter. Refer to the instruction sheet provided in the kit to service your unit's o-rings.

Pump Maintenance

Changing Pump Oil

Change oil after first 50 hours of operation and then every 200 hours or 3 months, whichever occurs first.

NOTE: When changing pump oil, use only high quality nondetergent 30 weight oil. Use no special additives.

Change pump oil as follows:

1. Clean area around brass oil drain plug at bottom of pump.
2. Remove oil drain plug. Drain oil completely into an approved container.
3. When oil has completely drained, install oil drain plug and tighten firmly.
4. Clean area around pump oil dipstick. Remove dipstick and fill pump with recommended oil to "Full" mark on dipstick.
5. Install pump oil dipstick.
6. Wipe up any spilled oil.

ENGINE MAINTENANCE

Checking Oil Level

Oil level should be checked prior to each use or at least every 5 hours of operation. Keep oil level maintained.



CAUTION! Avoid prolonged or repeated skin contact with used motor oil. Used motor oil has been shown to cause skin cancer in certain laboratory animals. Thoroughly wash exposed areas with soap and water.



CAUTION! KEEP OUT OF REACH OF CHILDREN. DON'T POLLUTE. CONSERVE RESOURCES. RETURN USED OIL TO COLLECTION CENTERS.

Changing Oil

Change engine oil after the first 5 hours and every 50 hours thereafter. If you are using your pressure washer under extremely dirty or dusty conditions, or in extremely hot weather, change oil more often.

Change oil while engine is still warm from running, as follows:

1. Drain fuel tank by running pressure washer until fuel tank is empty.
2. Disconnect spark plug wire and keep it away from the spark plug.

3. Remove oil drain plug and drain oil into appropriate receptacle.
4. Reinstall drain plug. Remove dipstick.
5. Wipe dipstick clean. Pour oil into oil fill opening.
6. Replace and tighten dipstick, remove and check oil level. Oil should be at "Full" mark on the dipstick. **DO NOT OVERFILL.**
7. Install oil dipstick, hand tighten securely.

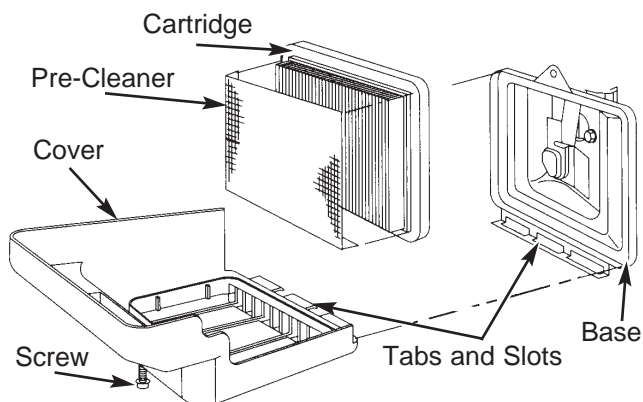
Service Air Cleaner

Your engine will not run properly and may be damaged if you run it with a dirty air cleaner.

Service the pre-cleaner every 25 hours of operation or once each year, whichever comes first. Service the cartridge every 100 hours of operation or once each year, whichever comes first. Replace more often if operating under dirty or dusty conditions.

To service the air cleaner, follow these steps:

1. Loosen screw and tilt cover down.



2. Carefully remove cartridge assembly.
3. To clean pre-cleaner, separate it from cartridge and wash in liquid detergent and water. Air dry thoroughly. **DO NOT** oil pre-cleaner.
4. To clean cartridge, gently tap pleated paper side on a flat surface.
5. Reinstall clean or new cartridge inside cover. Install with arrows up and lip of pre-cleaner at bottom of cartridge pleats.
6. Insert cover's tabs into slots in bottom of base.
7. Tilt cover up and tighten screw securely to base.

NOTE: You can purchase new air filter elements by calling **1-800-366-PART**.

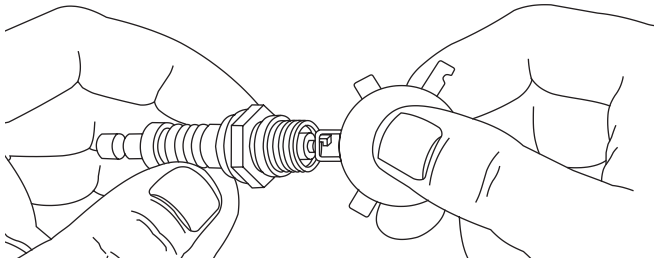
Service Spark Plug

Service the spark plug every 100 hours of operation or yearly, whichever occurs first.



CAUTION! Disconnect spark plug wire from spark plug and keep wire away from spark plug while servicing engine.

1. Clean area around spark plug.
2. Remove and inspect spark plug.
3. Replace spark plug if electrodes are worn, or if insulator is cracked or chipped.
4. For replacement use either the standard resistor spark plug, Champion RC12YC or the long life platinum spark plug, Champion RC12PYP.
5. Check electrode gap with wire feeler gauge and set gap at 0.030 inches (0.76mm), if necessary.



6. Install spark plug, tighten securely.

NOTE: You can purchase a new spark plug by calling **1-800-366-PART**.

Carburetor

If you think your carburetor needs adjusting, see your nearest Sears service center. Engine performance may be affected at attitudes above 3,000-7,000 feet. For operation at higher elevations, contact your nearest Sears service center.

Spark Arrester Service

Your engine is not factory-equipped with a spark arrester. In some areas, it is illegal to operate an engine without a spark arrester. Check local laws and regulations. A spark arrester is available from your nearest Sears service center. If you need to order a spark arrester, please call **1-800-366-PART**.

The spark arrester must be serviced every 50 hours to keep it functioning as designed.

If the engine has been running, the muffler will be very hot. Allow the muffler to cool before servicing the spark arrester.

- Remove spark arrester screen for cleaning and inspection.
- Replace if screen is damaged.

STORAGE

AFTER EACH USE

Water should not remain in the unit for long periods of time. Sediments or minerals can deposit on pump parts and “freeze” pump action. Follow these procedures after every use:

1. Flush detergent siphoning tube by placing filter into a pail of clean water while running pressure washer in low pressure mode. Flush for one to two minutes.
2. Shut off engine, let it cool, then remove garden and high pressure hoses.
3. Disconnect spark plug wire from spark plug.
4. Empty pump of all liquids by pulling recoil handle about 6 times. This should remove most of liquid in pump.
5. If storing for more than 30 days see “Long Term Storage” on next page.
6. Disconnect hose from spray gun and high pressure outlet on pump. Drain water from hose, gun, and nozzle extension. Use a rag to wipe off hose.
7. Coil high pressure hose and inspect it for damage. Cuts in hose or fraying could result in leaks and loss of pressure. Should any damage be found, replace hose. DO NOT attempt to repair a damaged hose. Replace hose with genuine Craftsman part.
8. Properly hang hose on wire support provided on handle.
9. Reconnect spark plug wire to spark plug.

10. Store unit in a clean, dry area.



WARNING! NEVER store the engine with fuel in the gas tank indoors or in enclosed, poorly ventilated areas where fumes may reach an open flame, a spark, or standing gas pilot.

WINTER STORAGE

CAUTION! You must protect your unit from freezing temperatures. Failure to do so will permanently damage your pump and render your unit inoperable. Freeze damage is not covered under warranty.

To protect the unit from freezing temperatures:

1. Flush detergent siphoning tube by placing filter into a pail of clean water while running pressure washer in low pressure mode. Flush for one to two minutes.
2. Empty pump of all pumped liquids by pulling recoil handle about 6 times. This should remove most liquid in pump.
3. Use PumpSaver, available at Sears retail item number 7174403, to treat pump. This prevents freeze damage and lubricates pistons and seals.
4. If PumpSaver is not available, connect a 3-foot section of garden hose to the water inlet adapter. Pour RV-antifreeze (antifreeze without alcohol) into the hose. Pull the recoil handle twice. Disconnect 3-foot hose.

LONG TERM STORAGE

If you do not plan to use the pressure washer for more than 30 days, you must prepare the engine and pump for long term storage.

It is important to prevent gum deposits from forming in essential fuel system parts such as the carburetor, fuel filter, fuel hose or tank during storage. Also, experience indicates that alcohol-blended fuels (called gasohol, ethanol or methanol) can attract moisture, which leads to separation and formation of acids during storage. Acidic gas can damage the fuel system of an engine while in storage.

Protect Fuel System

Fuel Additive:

If adding a fuel additive, fill the fuel tank with fresh fuel. If only partially filled, air in the tank will promote fuel deterioration during storage. Engine and fuel can be stored up to 24 months with additive.

1. Add fuel additive following manufacturer's instructions.
2. Connect water supply to pump inlet and turn it ON.
3. Run engine outdoors for 10 minutes to be sure treated fuel has replaced untreated fuel in carburetor.

If fuel additive is not used, remove all fuel from tank and run engine until it stops from lack of fuel.

Change Oil

While engine is still warm, drain oil from crankcase. Refill with recommended grade. See "Changing Oil" on page 14.

Oil Cylinder Bore

- Remove spark plug. Squirt about 1 tablespoon of clean engine oil into the cylinder. Cover spark plug hole with rag. Pull recoil handle slowly to distribute oil. Avoid spray from spark plug hole.
- Install spark plug. DO NOT connect spark plug wire.

Protect Pump

To protect the pump from damage caused by mineral deposits or freezing, use the PumpSaver (Sears item number 7174403).



CAUTION! Read and follow all cautions and warnings on the PumpSaver can label. Always wear eye protection when using PumpSaver.

To use PumpSaver, make sure the pressure washer is turned off and disconnected from supply water. Read and follow all instructions and warnings given on the PumpSaver container.

NOTE: If PumpSaver is not available, draw RV antifreeze (non-alcohol) into the pump by pouring the solution into a 3-foot section of garden hose connected to inlet adapter and pulling recoil handle twice.

NOTE: PumpSaver will drip from pump after treatment and will stain wood and concrete.

OTHER

- DO NOT store gasoline from one season to another.
- If possible, store your unit indoors and cover it to give protection from dust and dirt. **BE SURE TO EMPTY THE FUEL TANK.**

IMPORTANT: NEVER cover your pressure washer while engine and exhaust area are warm.

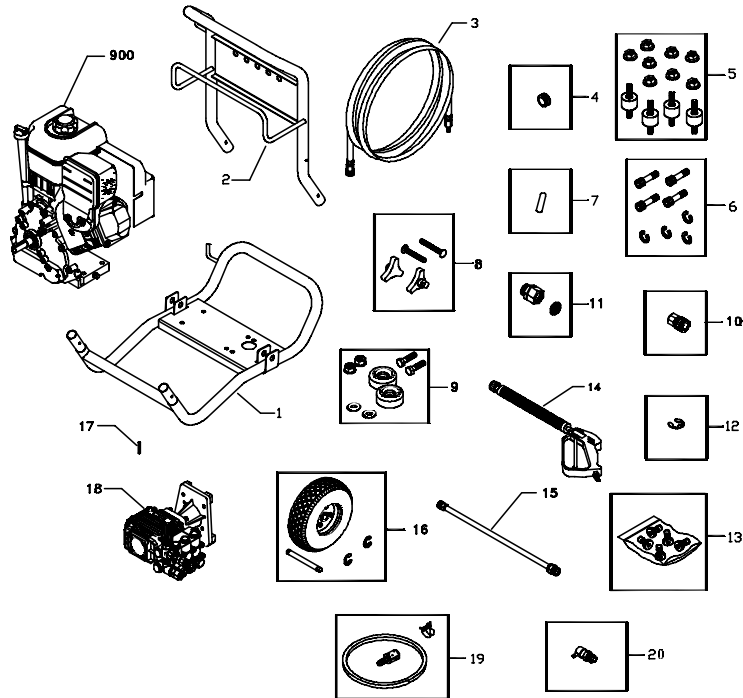
TROUBLESHOOTING

Problem	Cause	Correction
Pump has following problems: failure to produce pressure, erratic pressure, chattering, loss of pressure, low water volume.	<ol style="list-style-type: none"> 1. Nozzle in low pressure mode. 2. Water inlet is blocked. 3. Inadequate water supply. 4. Inlet hose is kinked or leaking. 5. Clogged inlet hose strainer. 6. Water supply is over 100°F. 7. High pressure hose is blocked or leaks. 8. Gun leaks. 9. Nozzle is obstructed. 10. Pump is faulty. 	<ol style="list-style-type: none"> 1. Pull nozzle backward for high pressure mode. 2. Clear inlet. 3. Provide adequate water flow. 4. Straighten inlet hose, patch leak. 5. Check and clean inlet hose strainer. 6. Provide cooler water supply. 7. Clear blocks in outlet hose. 8. Replace gun. 9. Clean nozzle. 10. Contact Sears service facility.
Detergent fails to mix with spray.	<ol style="list-style-type: none"> 1. Detergent siphoning tube is not submerged. 2. Chemical filter is clogged. 3. Dirty in-line filter. 4. Nozzle is in high pressure mode. 	<ol style="list-style-type: none"> 1. Insert detergent siphoning tube into detergent. 2. Clean or replace filter/detergent siphoning tube. 3. See "Check In-Line Filter". 4. Push nozzle forward for low pressure mode.
Engine runs good at no-load but "bogs" when load is added.	Engine speed is too slow.	Move throttle control to FAST position. If engine still "bogs down", contact Sears service facility.
Engine will not start; or starts and runs rough.	<ol style="list-style-type: none"> 1. Dirty air cleaner. 2. Out of gasoline. 3. Stale gasoline. 4. Spark plug wire not connected to spark plug. 5. Bad spark plug. 6. Water in gasoline. 7. Overchoking. 8. Excessively rich fuel mixture. 9. Intake valve stuck open or closed. 10. Engine has lost compression. 	<ol style="list-style-type: none"> 1. Clean or replace air cleaner. 2. Fill fuel tank. 3. Drain gas tank; fill with fresh fuel. 4. Connect wire to spark plug. 5. Replace spark plug. 6. Drain gas tank; fill with fresh fuel. 7. Open choke fully and crank engine. 8. Contact Sears service facility. 9. Contact Sears service facility. 10. Contact Sears service facility.
Engine shuts down during operation.	Out of gasoline.	Fill fuel tank.
Engine lacks power.	Dirty air filter.	Replace air filter.
Engine "hunts" or falters.	Choke is opened too soon.	Move choke to halfway position until engine runs smoothly.

PARTS

CRAFTSMAN 3400 PSI Pressure Washer 580.753400

Main Unit — Exploded View and Parts List



Item	Part #	Description	Item	Part #	Description
1	B191938GS	BASE	12	191265GS	E-RING
2	B191942GS	HANDLE	13	B4847GS	KIT, Nozzle
3	B4805GS	HOSE	14	B1436BGS	GUN
4	30809GS	GROMMET	15	190779GS	EXTENSION
5	192134GS	KIT, Engine Mounting Hardware	16	192317GS	KIT, Wheel
6	192132GS	KIT, Pump Mounting Hardware	17	63281GS	KEY
7	B2516GS	VINYL CAP	18	191879GS	ASSY, Pump (see pages 20-23)
8	B2203GS	KIT, Handle Fastening	19	192796GS	KIT, Chemical Hose/Filter
9	192310GS	KIT, Vibration Mount	20	B1554GS	VALVE, Thermal Relief
10	95458GS	QUICK CONNECT	900	NSP	ENGINE
11	192135GS	KIT, Garden Hose Inlet			

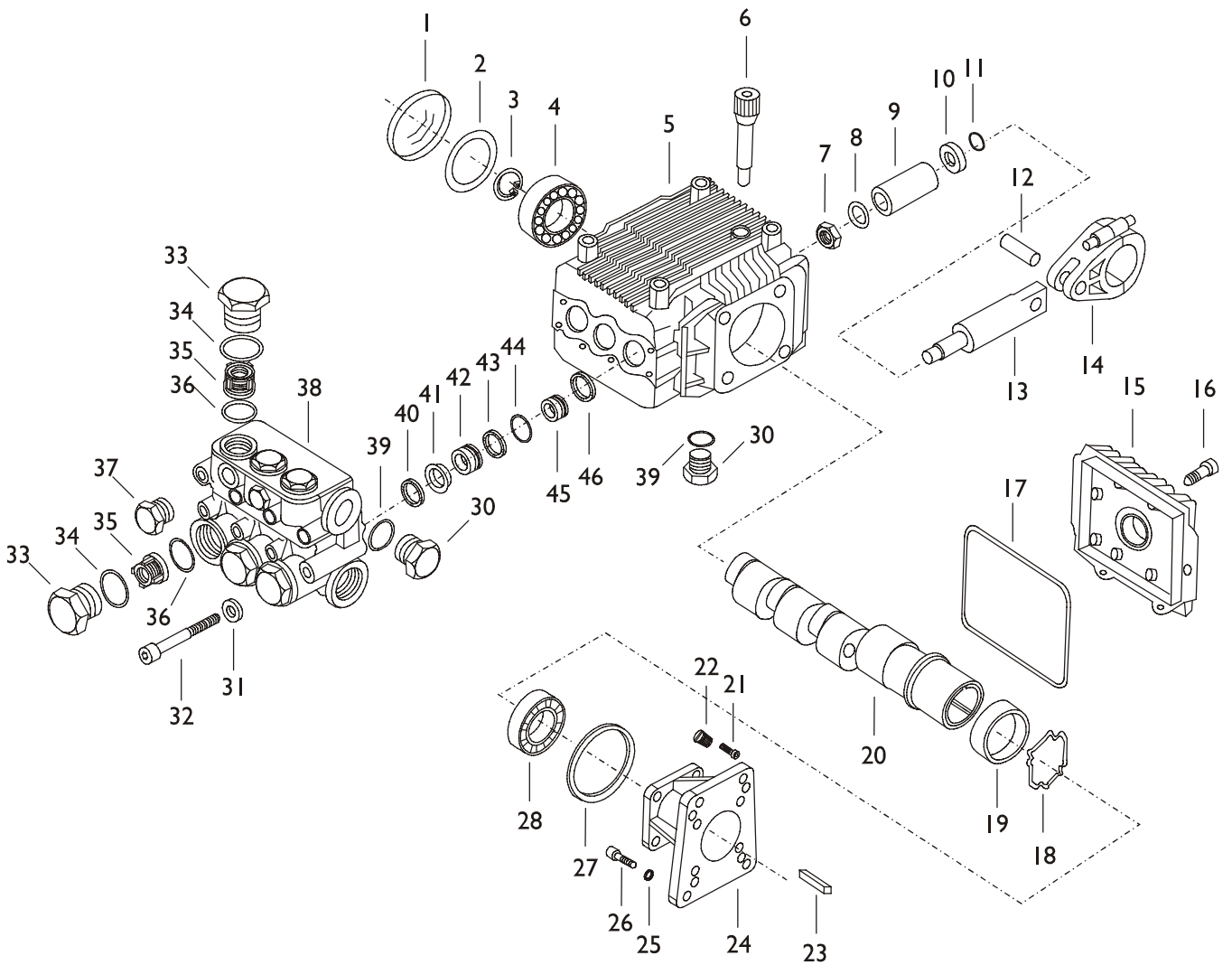
Items Not Illustrated

Part #	Description
192736GS	MANUAL, Owner's
192918GS	KIT, Decals
AB3061GS	OIL, Bottle

Optional Accessories Not Illustrated

7175187GS	Garden Hose Quick Connect
7175197GS	Accessory Quick Connect
7175199GS	Rotating Brush Kit
7175115GS	25' Replacement Hose
7175116GS	O Ring Repair Kit
7174400GS	Turbo Nozzle
7174401GS	25' Extension Hose
7174402GS	Hose Reel
7174403GS	Pump Saver
7174300GS	House Wash Concentrate (makes 4 gallons)
7174301GS	Deck Wash Concentrate (makes 2 gallons)
7174302GS	Vehicle/Boat Wash Concentrate (makes 4 gallons)
7174303GS	Degreaser Concentrate (makes 4 gallons)
7174307GS	Mold/Mildew Concentrate (makes 2 gallons)

CRAFTSMAN 3400 PSI Pressure Washer 580.753400
Pump — Exploded View



**CRAFTSMAN 3400 PSI Pressure Washer 580.753400
Pump — Parts List**

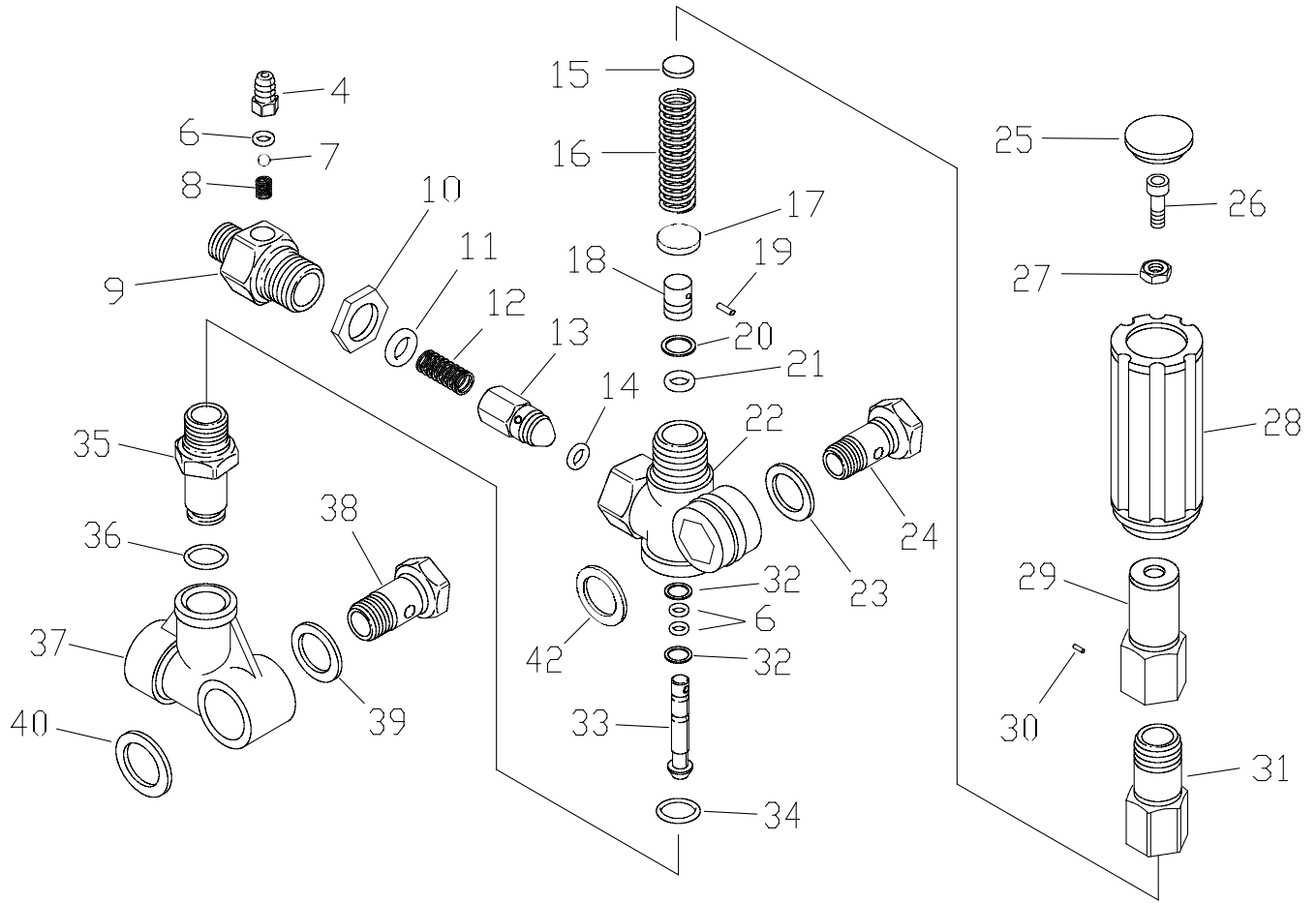
Item	Part #	Qty	Description	Item	Part #	Qty	Description
1	110B2126GS	1	Cap	24	150B2126GS	1	Gas Engine Flange
2	10887628PGS	1	Circlip	25	22237GS	4	Washer, Lock
3	112B2126GS	1	Snap Ring	26	23645GS	4	Screw
4	113B2126GS	1	Bearing	27	151B2126GS	1	Bushing
5	109B2126GS	1	Pump Body	28	12187822PGS	1	Seal
6	11287628PGS	1	Oil Cap/Dipstick	30	10487628PGS	2	Plug
7	11087822PGS	3	Nut	31	137B2126GS	8	Washer
8	11187822PGS	3	Piston Washer	32	10087822PGS	8	Screw
9	123B2126GS	3	Piston	33	102B2126GS	6	Plug
10	11687628PGS	3	Spacer Disc	34	10187822PGS	6	O-Ring
11	11587628PGS	3	O-Ring	35	10287822PGS	6	Complete Valve
12	115B2126GS	3	Piston Pin	36	10387822PGS	6	O-Ring
13	120B2126GS	3	Guiding Piston	37	11193360PGS	1	Plug
14	119B2126GS	3	Con Rod	38	136B2126GS	1	Head
15	118B2126GS	1	Complete Rear Cover	39	10387628PGS	2	O-Ring
16	117B2126GS	6	Screw	40	106B2126GS	3	Support Ring
17	116B2126GS	1	O-Ring	41	10587822PGS	3	Gasket
18	12687628PGS	1	Snap Ring	42	108B2126GS	3	Piston Guide
19	12587628PGS	1	Bearing	43	10393360PGS	3	Gasket
20	**	1	Hollow Shaft	44	10493360PGS	3	O-Ring
21	155B2327GS	4	Screw	45	131B2126GS	3	Rear Piston Guide
22	152B2126GS	1	Grub Screw	46	16593360PGS	3	Seal
23	63281GS	1	Key				

** For service, contact your nearest service center.

Service Kits:

A		B		C		D		E	
50087628PGS Valve Kit		201B2126GS Piston Kit		202B2126GS Oil Seal Kit		203B2126GS Water Seal Kit		204B2126GS Support Ring Kit	
Item	Qty.	Item	Qty.	Item	Qty.	Item	Qty.	Item	Qty.
35	6			1	1	41	3		
36	6	8	3	17	1	44	3	40	3
				46	3				

**CRAFTSMAN 3400 PSI Pressure Washer 580.753400
Unloader — Exploded View**



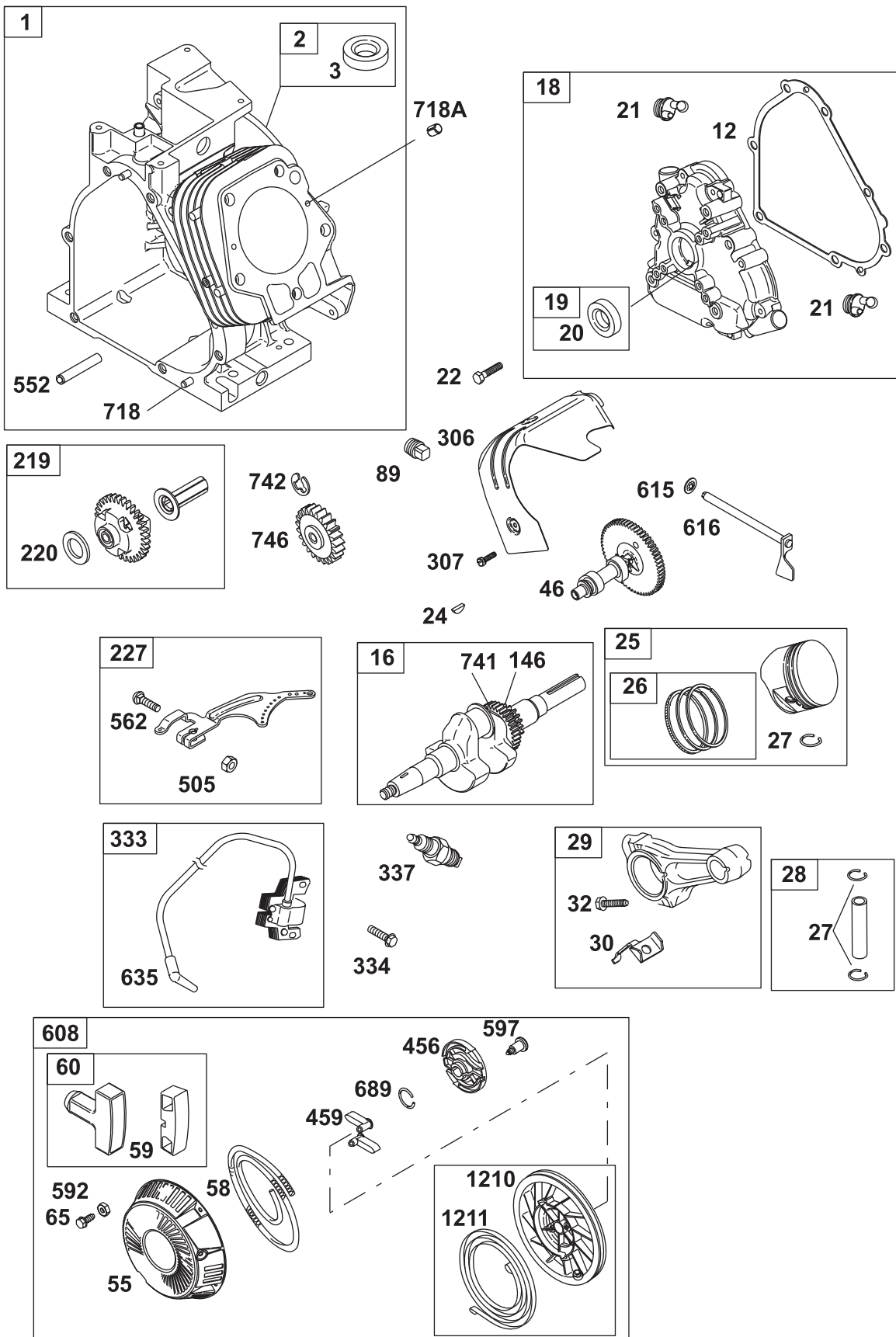
**CRAFTSMAN 3400 PSI Pressure Washer 580.753400
Unloader — Parts List**

Item	Part #	Qty	Description	Item	Part #	Qty	Description
0	153B2126GS	0	Complete Unloader	23	227B2327GS	1	Washer
4	210B2327GS	1	Hose Tail	24	226B2327GS	1	Inlet Bolt
5	95458GS	1	Quic Disconnect	25	248B2327GS	1	Plug
6	231B2327GS	3	O-Ring	26	155B2327GS	1	Screw
7	211B2327GS	1	Stainless Ball	27	246B2327GS	1	Nut
8	212B2327GS	1	Spring	28	245B2327GS	1	Knob
9	186833GS	1	Injection Body	29	243B2327GS	1	Housing
10	215B2327GS	1	Injector Nut	30	244B2327GS	1	Pin
11	137B2327GS	1	O-Ring	31	242B2327GS	1	Spring Guide
12	216B2327GS	1	Spring	32	229B2327GS	2	Ring
13	217B2327GS	1	Plunger	33	232B2327GS	1	Lower Piston
14	218B2327GS	1	O-Ring	34	234B2327GS	1	O-Ring
15	220B2327GS	1	Spacer Plate	35	233B2327GS	1	Piston Guide
16	221B2327GS	1	Spring	36	235B2327GS	1	O-Ring
17	222B2327GS	1	Spring, Spacer Plate	37	238B2327GS	1	Bypass Fitting
18	219B2327GS	1	Upper Piston	38	236B2327GS	1	Inlet Bolt
19	223B2327GS	1	Pin	39	237B2327GS	1	Washer
20	224B2327GS	1	Ring	40	239B2327GS	1	Washer
21	225B2327GS	1	O-Ring	42	230B2327GS	1	Washer
22	228B2327GS	1	Valve Housing				

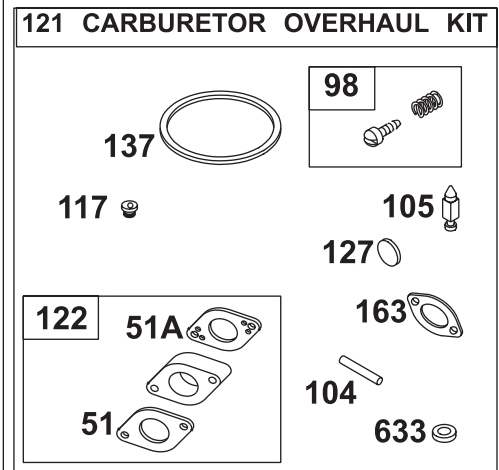
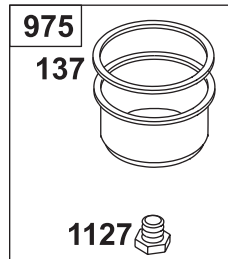
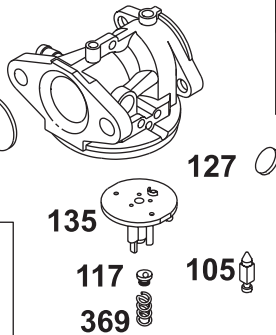
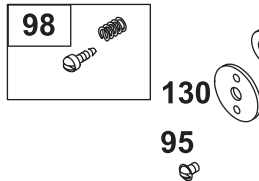
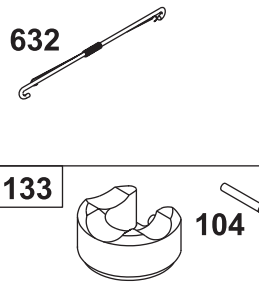
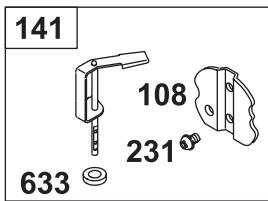
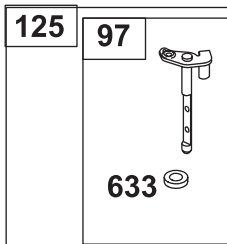
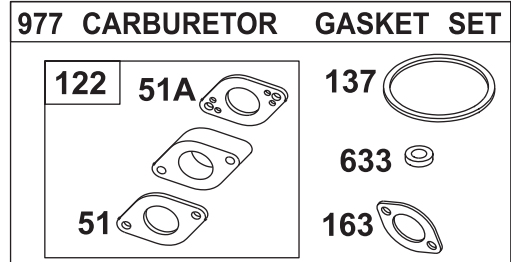
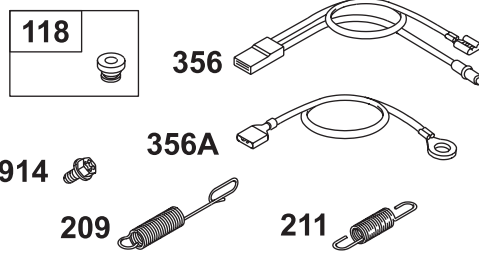
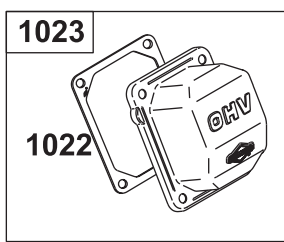
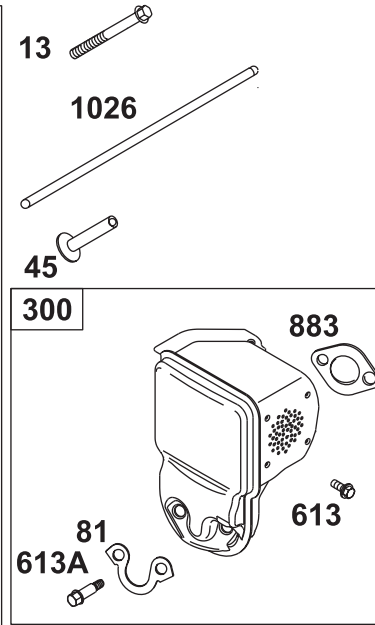
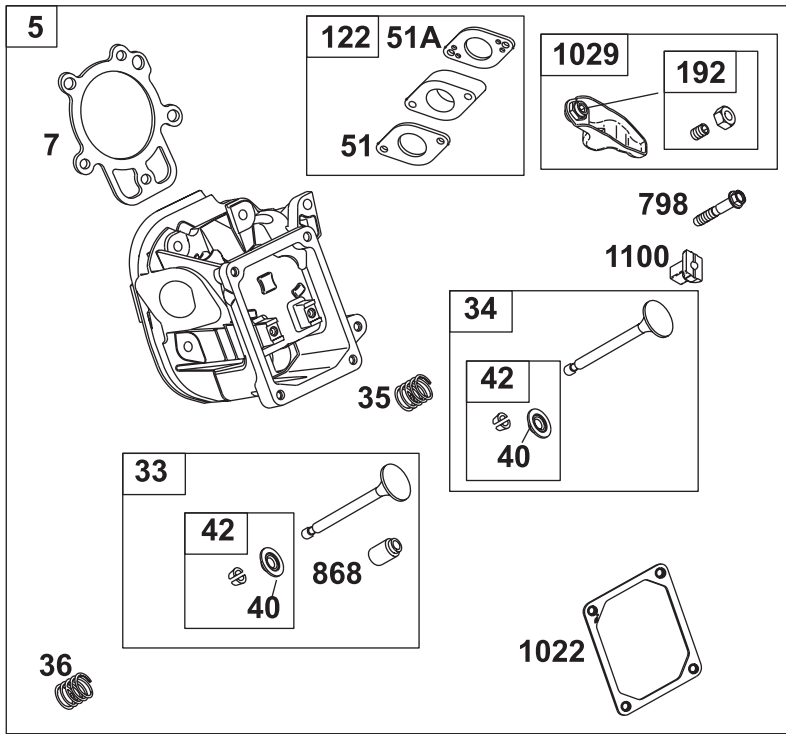
Service Kits:

250B2327GS					
Item	Qty.	Item	Qty.	Item	Qty.
6	3	21	1	36	1
8	1	23	1	39	1
15	1	32	2	40	1
20	1	34	1	42	1

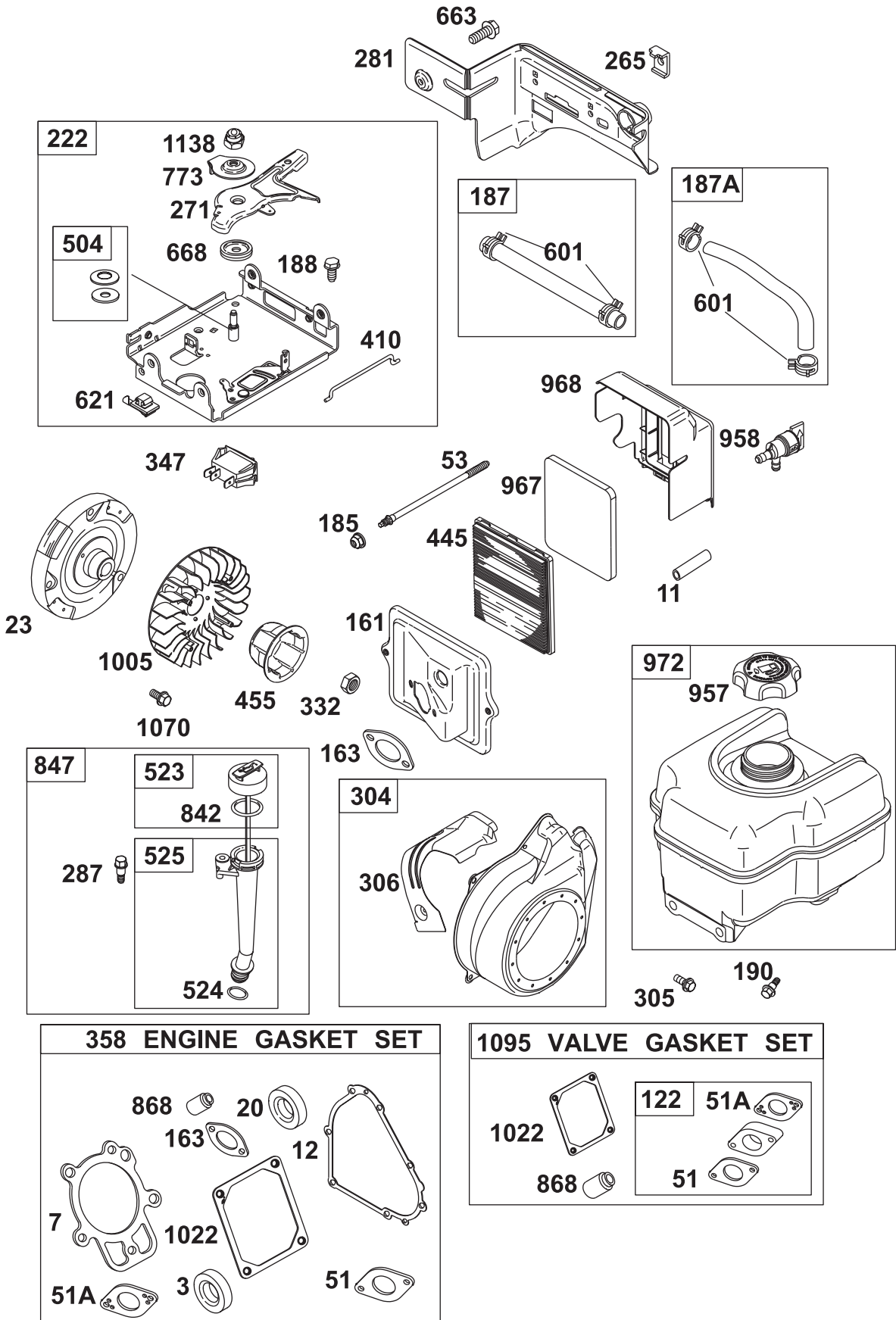
ENGINE, 11.0 HP, Briggs and Stratton, 120412 – Exploded View



ENGINE, 11.0 HP, Briggs and Stratton, 120412 – Exploded View



ENGINE, 11.0 HP, Briggs and Stratton, 120412 – Exploded View



ENGINE, 11.0 HP, Briggs and Stratton, 120412 – Parts List

Item	Part #	Description	Item	Part #	Description
1	697702	Cylinder Assembly	227	694864	Lever-Governor Control
2	697719	Kit-Bushing/Seal (Magneto Side)	231	690718	Screw (Choke Valve)
3	391086	Seal-Oil (Magneto Side)	265	691024	Clamp-Casing
5	697233	Head-Cylinder	271	695381	Lever-Control
7	697690	Gasket-Cylinder Head	281	697268	Panel-Control
11	696796	Tube-Breather	287	691693	Screw (Dipstick Tube)
12	694953	Gasket-Crankcase	300	697252	Muffler
13	690360	Screw (Cylinder Head)	304	697250	Housing-Blower
16	695462	Crankshaft	305	690960	Screw (Blower Housing)
18	696914	Cover-Crankcase	306	697240	Shield-Cylinder
19	698340	Kit-Bushing/Seal (PTO Side)	307	691660	Screw (Cylinder Shield)
20	391086	Seal-Oil (PTO Side)	332	694685	Nut (Flywheel)
21	281658	Cap-Oil Fill	333	715231	Armature-Magneto
22	695174	Screw (Engine Sump)	334	691061	Screw (Magneto Armature)
23	694954	Flywheel	337	491055	Plug-Spark
24	222698	Key-Flywheel	347	692599	Switch-Rocker
25	697693	Piston Assembly (Standard)	356	695295	Wire-Stop
	697694	Piston Assembly (.010" Oversize)	356A	692603	Wire-Stop
	697695	Piston Assembly (.020" Oversize)	358	697715	Gasket Set-Engine
	697696	Piston Assembly (.030" Oversize)	369	695422	Spring-Float Bowl
26	697692	Ring Set (Standard)	410	695382	Link-Control
	697697	Ring Set (.010" Oversize)	445	491588	Filter-Air Cleaner Cartridge
	697698	Ring Set (.020" Oversize)	455	694683	Cup-Flywheel
	697699	Ring Set (.030" Oversize)	456	692299	Plate-Pawl Friction
27	690975	Lock-Piston Pin	459	281505	Pawl-Ratchet
28	696581	Pin-Piston	504	695383	Washer Set-Friction
29	694691	Rod-Connecting	505	691251	Nut (Governor Control Lever)
30	694692	Dipper-Connecting Rod	523	695344	Dipstick
32	690976	Screw (Connecting Rod)	524	691876	Seal-Dipstick Tube
33	499596	Valve-Exhaust	525	695343	Tube-Dipstick
34	697464	Valve-Intake	552	694674	Bushing-Governor Crank
35	694865	Spring-Valve (Intake)	562	691119	Bolt (Governor Control Lever)
36	694865	Spring-Valve (Exhaust)	592	690800	Nut (Rewind Starter)
40	690694	Retainer-Valve	597	691696	Screw (Pawl Friction Plate)
42	499586	Keeper-Valve	601	95162	Clamp-Hose
45	690977	Tappet-Valve	608	695287	Starter-Rewind
46	697239	Camshaft	613	695312	Screw (Muffler)
51	694874	Gasket-Intake	613A	695399	Screw (Muffler)
51A	694875	Gasket-Intake	615	694676	Retainer-Governor Shaft
53	694689	Stud (Carburetor)	616	694675	Crank-Governor
55	695288	Housing-Rewind Starter	621	692310	Switch-Stop
58	693389	Rope-Starter (Cut to Required Length)	632	695917	Spring/Link-Mechanical Governor
59	805957	Grip-Insert	633	690998	Seal-Choke/Throttle Shaft
60	715257	Grip-Starter Rope	635	710901	Boot-Spark Plug
65	690837	Screw (Rewind Starter)	663	692577	Screw (Control Panel)
81	695400	Lock-Muffler Screw	668	694257	Spacer
89	691686	Plug-Oil Drain	689	691855	Spring-Friction
95	690718	Screw (Throttle Valve)	718	690959	Pin-Locating
97	696387	Shaft-Throttle	718A	695178	Pin-Locating
98	695408	Kit-Idle Speed	741	691288	Gear-Timing
104	694918	Pin-Float Hinge	742	692564	Retainer-E Ring
105	696136	Valve-Float Needle	746	694679	Gear-Idler
108	696143	Valve-Choke	773	694258	Retainer
117	696134	Jet-Main (Standard)	798	690967	Screw (Rocker Arm)
118	696135	Jet-Main (High Altitude)	842	691031	Seal-O Ring (Dipstick Tube)
121	696146	Kit-Carburetor Overhaul	868	690968	Seal-Valve
122	694876	Spacer-Carburetor	883	697255	Gasket-Exhaust
125	695919	Carburetor	914	693732	Screw (Rocker Cover)
127	690727	Plug-Welch	957	694261	Cap-Fuel Tank
130	696139	Valve-Throttle	958	692586	Valve-Fuel Shut Off
133	694914	Float-Carburetor	967	493537	Filter-Pre Cleaner
135	696142	Tube-Fuel Transfer	968	697061	Cover-Air Cleaner
137	695426	Gasket-Float Bowl	972	694260	Tank-Fuel
141	696145	Kit-Choke Shaft	975	696138	Bowl-Float
146	690979	Key-Timing	977	696147	Gasket Set-Carburetor
161	695384	Base-Air Cleaner	1005	694684	Fan-Flywheel
163	692277	Gasket-Air Cleaner	1022	690971	Gasket-Rocker Cover
185	690958	Nut (Air Cleaner Base)	1023	697691	Cover-Rocker
187	691050	Line-Fuel (Cut to Required Length)	1026	695177	Rod-Push
187A	695429	Line-Fuel	1029	690972	Rocker Arm
188	690877	Screw (Control Bracket)	1070	690364	Screw (Flywheel Fan)
190	692127	Screw (Fuel Tank)	1095	695440	Valve Gasket Set
192	690083	Ball-Rocker Arm	1100	690973	Pivot-Rocker Arm
209	694867	Spring-Governor	1127	695407	Screw (Float Bowl)
211	695307	Spring-Governed Idle	1138	694255	Nut (Control Bracket)
219	693578	Gear-Governor	1210	498144	Pulley/Spring Assembly (Pulley)
220	691724	Washer (Governor Gear)	1211	498144	Pulley/Spring Assembly (Spring)
222	695380	Bracket-Control			

EMISSION CONTROL WARRANTY STATEMENT

Sears, Roebuck and Co., U.S.A. (Sears), the California Air Resources Board (CARB) and the United States Environmental Protection Agency (U.S.EPA)

Emission Control System Warranty Statement (Owner's Defect Warranty Rights and Obligations)

EMISSION CONTROL WARRANTY COVERAGE IS APPLICABLE TO CERTIFIED ENGINES PURCHASED IN CALIFORNIA IN 1995 AND THEREAFTER WHICH ARE USED IN CALIFORNIA, AND TO CERTIFIED MODEL YEAR 1997 AND LATER ENGINES WHICH ARE PURCHASED AND USED ELSEWHERE IN THE UNITED STATES (AND AFTER JANUARY 1, 2001 IN CANADA).

California and U.S. EPA Emission Control Warranty Statement Your Warranty Rights and Obligations

The California Air Resources Board (CARB), U.S.EPA and Sears are pleased to explain the Emission Control System Warranty on your model year 2000 and later small off-road engine (SORE). In California, new small off-road engines must be designed, built and equipped to meet the State's stringent anti-smog standards. Elsewhere in the United States, new non-road, spark-ignition engines certified for model year 1997 and later, must meet similar standards set forth by the U.S.EPA. Sears must warrant the emission control system on your engine for the periods of time listed below, provided there has been no abuse, neglect, or improper maintenance of your small off-road engine.

Your emission control system may include parts such as the carburetor or fuel-injection system, the ignition system, and catalytic converter. Also included may be hoses, belts, connectors and other emission related assemblies.

Where a warrantable condition exists, Sears will repair your small off-road engine at no cost to you including diagnosis, parts and labor.

Sears Emission Control Defects Warranty Coverage

The 1995 and later small off-road engines are warranted for two years. If any emission-related part on your engine is defective, the part will be repaired or replaced by Sears.

Owner's Warranty Responsibilities

As the small off-road engine owner, you are responsible for the performance of the required maintenance listed in this owner's manual. Sears recommends that you retain all your receipts covering maintenance on your small off-road engine, but Sears cannot deny warranty solely for the lack of receipts or for your failure to ensure the performance of all scheduled maintenance.

As the small off-road engine owner, you should however be aware that Sears may deny you warranty coverage if your small off-road engine or a part has failed due to abuse, neglect, improper maintenance or unapproved modifications.

You are responsible for presenting your small off-road engine to an approved Sears Service Center as soon as a problem exists. The warranty repairs should be completed in a reasonable amount of time, not to exceed 30 days.

If you have any questions regarding your warranty rights and responsibilities, you should contact a Sears Service Representative at 1-800-469-4663.

Sears Emission Control Defects Warranty Provisions

The following are specific provisions relative to your Emission Control Defects Warranty Coverage.

1. Warranted Parts

Coverage under this warranty extends only to the parts listed below (the emission control systems parts) to the extent these parts were present on the engine purchased.

- a. Fuel Metering System
 - Cold start enrichment system
 - Carburetor and internal parts
 - Fuel Pump
- b. Air Induction System
 - Air cleaner
 - Intake manifold
- c. Ignition System
 - Spark plug(s)
 - Magneto ignition system
- d. Catalyst System
 - Catalytic converter
 - Exhaust manifold
 - Air injection system or pulse valve
- e. Miscellaneous Items Used in Above Systems
 - Vacuum, temperature, position, time sensitive valves and switches
 - Connectors and assemblies

2. Length of Coverage

Sears warrants to the initial owner and each subsequent owner that the Warranted Parts shall be free from defects in materials and workmanship which caused the failure of the Warranted Parts for a period of two years from the date the engine is delivered to a retail purchaser.

3. No Charge

Repair or replacement of any Warranted Part will be performed at no charge to the owner, including diagnostic labor which leads to the determination that a Warranted Part is defective, if the diagnostic work is performed at an approved Sears Service Center.

4. Claims and Coverage Exclusions

Warranty claims shall be filed in accordance with the provisions of the Sears Warranty Policy. Warranty coverage shall be excluded for failures of Warranted Parts which are not original Sears parts or because of abuse, neglect or improper maintenance as set forth in the Sears Engine Warranty Policy. Sears is not liable to cover failures of Warranted Parts caused by the use of add-on, non-original, or modified parts.

5. Maintenance

Any Warranted Part which is not scheduled for replacement as required maintenance or which is scheduled only for regular inspection to the effect of "repair or replace as necessary" shall be warranted as to defects for the warranty period. Any Warranted Part which is scheduled for replacement as required maintenance shall be warranted as to defects only for the period of time up to the first scheduled replacement for that part. Any replacement part that is equivalent in performance and durability may be used in the performance of any maintenance or repairs. The owner is responsible for the performance of all required maintenance, as defined in this owner's manual.

6. Consequential Coverage

Coverage hereunder shall extend to the failure of any engine components caused by the failure of any Warranty Part still under warranty.

In the USA and Canada, a 24-hour hotline, 1-800-469-4663, has a menu of pre-recorded messages offering you product maintenance information.

TABLA DE CONTENIDOS

GARANTIA27	ESPECIFICACIONES36
INSTRUCCIONES DE SEGURIDAD27-28	ALMACENAMIENTO40-41
MONTAJE29-31	REPARACION DE DAÑOS42
OPERACION32-35	GARANTÍA DEL CONTROL DE EMISIONES43
MANTENIMIENTO36-39	COMO ORDENAR PARTES	PAGINA POSTERIOR

GARANTIA

GARANTIA LIMITADA DE LA LAVADORA DE PRESION CRAFTSMAN

Durante un año a partir de la fecha de compra, Sears reparará, sin cargo alspray guno, cualquier defecto en material y mano de obra, siempre y cuando esta máquina lavadora de presión Craftsman haya sido mantenida y puesta en funcionamiento de acuerdo a las instrucciones suministradas en el manual del propietario.

Si esta máquina lavadora es usada para fines comerciales, la garantía se aplicará tan solo por 90 días a partir de la fecha de compra. Si esta máquina lavadora de presión es usada para alquiler, la garantía se aplicará tan solo por 30 días después de la fecha de compra.

Esta garantía no cubre:

- Elementos perecederos como bujías o filtros de aire, los cuales se desgastan con el uso normal.
- Reparaciones necesarias debido al abuso o negligencia del operador, incluyendo daños ocasionados por la ausencia de suministro de agua a la bomba o por no mantener el equipo de acuerdo a las instrucciones contenidas en el manual del propietario.

El servicio de garantía se hace efectivo devolviendo la máquina lavadora de presión al centro de servicio o distribuidor Sears mas cercano en los Estados Unidos.

Esta garantía le proporciona derechos legales específicos; usted también puede tener otros derechos, los cuales varían de estado a estado.

Sears, Roebuck and Co., Dept. 817WA, Hoffman Estates, IL 60179

INSTRUCCIONES DE SEGURIDAD



Este es el símbolo de alerta de seguridad. Es usado para indicarle situaciones con peligros potenciales de lesión para el personal. Siga las instrucciones de todos los mensajes de seguridad que aparecen después de este símbolo para evitar posibles lesiones o muerte.



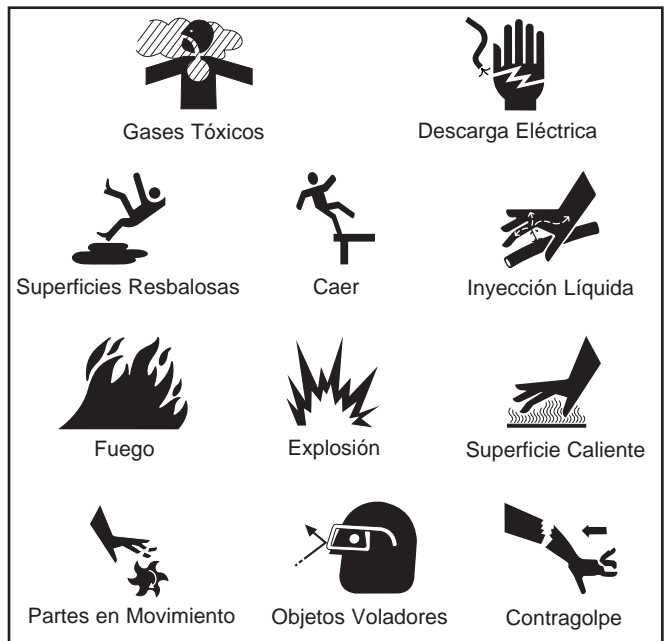
Lea este manual minuciosamente y conozca a fondo las partes y el funcionamiento de su máquina lavadora a presión. Conozca sus aplicaciones, sus limitaciones y los peligros involucrados.

El símbolo de alerta de seguridad (▲) es usado con una palabra (PELIGRO, ADVERTENCIA, PRECAUCIÓN), un mensaje por escrito o una ilustración, para alertarlo acerca de cualquier situación de peligro que pueda existir.

PELIGRO indica un riesgo el cual, si no se evita, *causará* la muerte o una herida grave. **ADVERTENCIA** indica un riesgo el cual, si no se evita, *puede* causar la muerte o una herida grave. **PRECAUCIÓN** indica un riesgo, el cual, si no se evita, *puede* causar heridas menores o moderadas.

PRECAUCIÓN, cuando se usa **sin** el símbolo de alerta, indica una situación que podría resultar en el daño del equipo. Siga los mensajes de seguridad para evitar o reducir los riesgos de heridas e inclusive la muerte.

Símbolos de Peligro y Significados



En el estado de California es obligatorio, según la ley, el uso de apagachispas (Sección 4442 del Código de Recursos Públicos de California). Otros estados pueden tener leyes similares. Las leyes federales se aplican en tierras federales. Si equipa el silenciador con un apagachispas, este deberá ser mantenido en buenas condiciones de trabajo. Usted puede ordenar el apagachispas a través de su distribuidor de servicio autorizado Sears.

ADVERTENCIA

El escape del motor de este producto contiene elementos químicos reconocidos en el Estado de California por producir cáncer, defectos de nacimiento u otros daños de tipo reproductivo.

PELIGRO



Al motor funcionar, se produce monóxido de carbono, un gas inodoro y venenoso. El respirar el monóxido de carbono, producirá náusea, desmayo o la muerte.

- Opere el lavadora de presión SOLAMENTE al aire libre.
- Utilice un respirador o máscara siempre que exista la posibilidad de inhalar vapores.
- Lea todas las instrucciones de la máscara para asegurarse de que le brindará la protección necesaria contra la inhalación de vapores nocivos.

ADVERTENCIA



El contacto del rocío con alambrado eléctrico puede tener como resultado electrocución.

- Mantenga el chorro del agua alejado de alambrados eléctricos, de lo contrario podrían ocurrir descargas eléctricas fatales.

ADVERTENCIA



El uso de lavadora de presión puede crear los charcos y superficies resbalosas.



El rociado de la alta presión podría hacerlo caer si está muy cerca de la superficie de limpieza.

- Mantenga la boquilla de rociado de 8 a 24 pulgadas de la superficie de limpieza.
- Sea extremadamente cuidadoso si usa la máquina lavadora a presión desde una escalera, andamio o cualquier superficie relativamente inestable.
- El área de limpieza deberá tener inclinaciones y drenajes adecuados para disminuir la posibilidad de caídas debido a superficies resbalosas.
- Opere y almacene esta unidad sobre una superficie estable.
- Sujete la pistola de la hidrolavadora firmemente con ambas manos cuando utilice el rociado a alta presión. De esta manera evitará lesiones producidas por el posible golpe de la pistola hacia atrás.

ADVERTENCIA



La gasolina y sus vapores son extremadamente inflamables y explosivos.



El fuego o una explosión pueden causar quemaduras severas e inclusive la muerte.

CUANDO AÑADA COMBUSTIBLE

- Apague el generador (posición OFF) y déjelo enfriar al menos por 2 minutos antes de remover la tapa de la gasolina.
- Llene el tanque al aire libre.
- NO llene demasiado el tanque. Permita al menos espacio para la expansión del combustible.
- Mantenga la gasolina alejada de chispas, llamas abiertas, pilotos, calor y otras fuentes de ignición.
- NO encienda un cigarrillo o fume.

CUANDO OPERE EL EQUIPO

- NO incline el motor o el equipo, de tal manera que la gasolina se pueda derramar.
- NO rocíe líquidos inflamables.

CUANDO TRANSPORTE O REPARE EL EQUIPO

- Transporte o repare el equipo con el tanque de combustible vacío, o con la válvula para apagar el combustible, apagada (posición OFF).

CUANDO ALMACENE O GUARDE EL EQUIPO CON COMBUSTIBLE EN EL TANQUE

- Almacene alejado de calderas, estufas, calentadores de agua, secadoras de ropa u otros aparatos electrodomésticos que posean pilotos u otras fuentes de ignición, porque ellos pueden encender los vapores de la gasolina.

ADVERTENCIA



La corriente de agua de alta presión que produce este equipo pueden perforar la piel y sus tejidos profundos, ocasionando lesiones serias y posible amputación.

- NUNCA apunte la pistola a la gente, animales o plantas.
- NO permita en ningún momento que NIÑOS operen la máquina lavadora a presión.
- NUNCA repare la manguera de alta presión. Reemplacela.
- Mantenga conectada la manguera a la máquina o a la pistola de rociado cuando el sistema esté presurizado.

ADVERTENCIA



Los motores en funcionamiento producen calor y gases de escape a altas temperaturas. La temperatura del silenciador y de las zonas cercanas puede alcanzar o superar los 65°C (150°F)




Se pueden producir incendios o quemaduras graves.

- NO toque las superficies calientes.
- Manténgase alejado de los gases de escape.
- Permita que el equipo se enfríe antes de tocarlo.

⚠ ADVERTENCIA	
	El arrancador y otras piezas que rotan pueden enredar las manos, el pelo, la ropa, o los accesorios.
<ul style="list-style-type: none"> • NO use ropa suelta, joyas o elementos que puedan quedar atrapados en el arranque o en otras partes rotatorias. • Ate para arriba el pelo largo y quite la joyería. 	

⚠ ADVERTENCIA	
	Chispear involuntario puede tener como resultado el fuego o el golpe eléctrico.
	
CUANDO AJUSTE O HAGA REPARACIONES A SU MÁQUINA LAVADORA DE ALTA PRESIÓN	
<ul style="list-style-type: none"> • Siempre desconecte el alambre de la bujía y colóquelo donde no pueda entrar en contacto con la bujía. 	

⚠ ADVERTENCIA	
	El rociado de alta presión puede hacer que partículas pequeñas de pintura u otras partículas salgan disparadas y viajen a altas velocidades.
<ul style="list-style-type: none"> • Siempre use protección para los ojos cuando utilice este equipo o cuando esté cerca de donde se esté usando el equipo. 	

⚠ PRECAUCIÓN	
Hacer funcionar el motor a velocidades excesivas aumenta el riesgo de lesiones personales.	
<ul style="list-style-type: none"> • NO juegue con partes que puedan aumentar o disminuir la velocidad de mando. • NO opere la máquina lavadora a presión con un valor de presión superior a su clasificación de presión. 	

⚠ PRECAUCIÓN	
El lavadora de presión produce un rocío alto de la presión cuál riesgo de aumentos de la herida y dañe a la unidad.	
<ul style="list-style-type: none"> • NO asegure la pistola de rociado en la posición (open = abierto). • NO abandone la pistola de rociado cuando la máquina esté en funcionamiento. • NUNCA utilice una pistola de rociado que no tenga un seguro para gatillo o protección para gatillo en su lugar y en buenas condiciones. • Siempre asegúrese de que la pistola de rociado, boquillas y accesorios estén conectados correctamente. 	

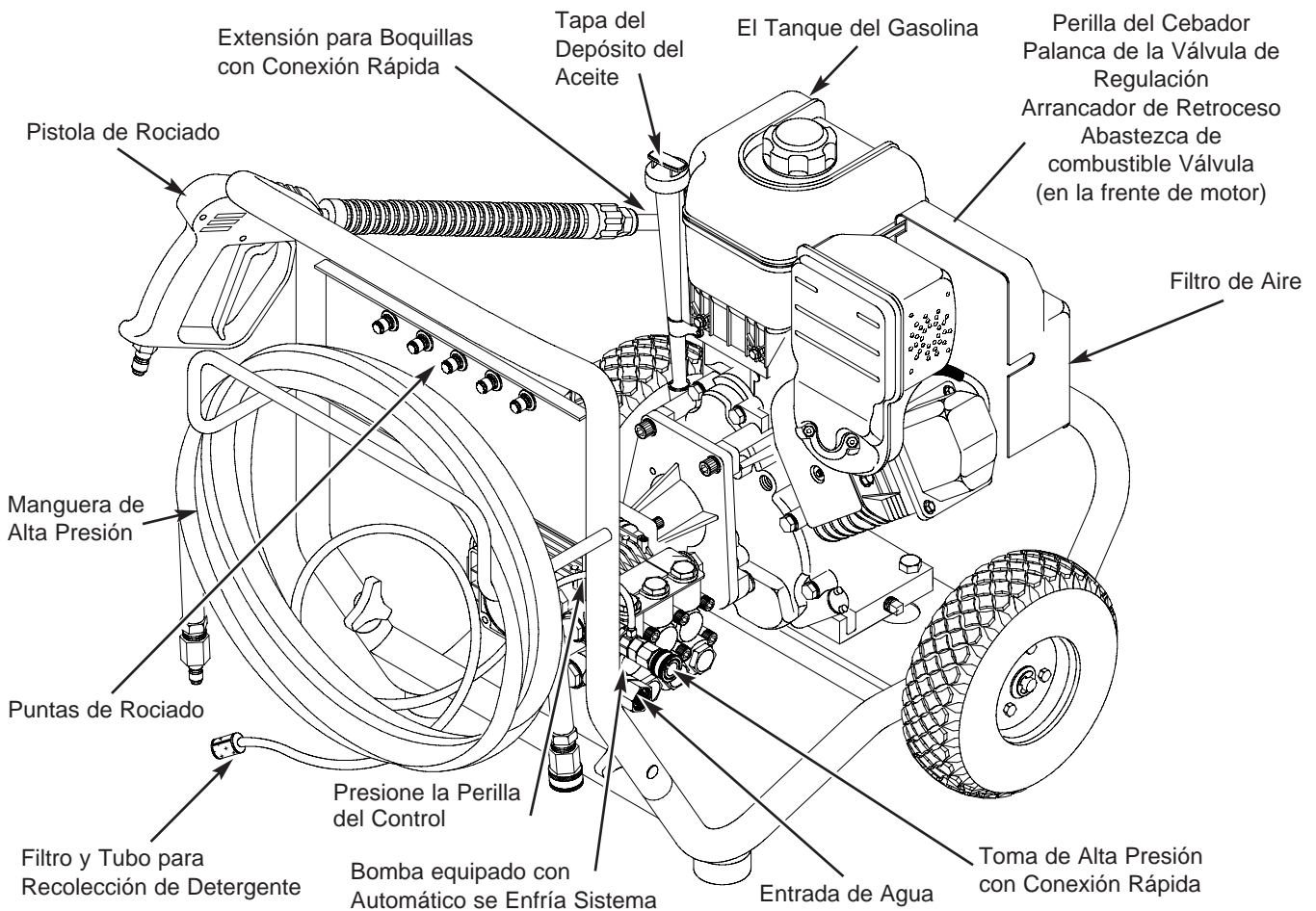
PRECAUCIÓN	
El rociado de alta presión puede dañar elementos frágiles, incluyendo el vidrio.	
<ul style="list-style-type: none"> • NO apunte la pistola de rociado al vidrio cuando esté en el modo de rociado a chorro. • NUNCA apunte la pistola a plantas. 	

PRECAUCIÓN	
El tratamiento inadecuado del lavadora de presión puede dañarlo y acortar su vida productiva.	
<ul style="list-style-type: none"> • Si usted tiene alguna pregunta acerca de las finalidades de uso del generador, pregúntele a su concesionario o contacte a Sears. • NUNCA deberán ser operadas las unidades con partes rotas o ausentes, o sin la caja o cubiertas de protección. • NO eluda ningún dispositivo de seguridad de esta máquina. • Antes de poner en marcha la máquina lavadora a presión en clima frío, revise todas las partes del equipo y asegúrese de que no se haya formado hielo sobre ellas. • NUNCA mueva la máquina halando la manguera de alta presión. Utilice la manija que viene con la unidad. • Revise que el sistema de combustible no presente fugas o signos de deterioro, como mangueras desgastadas o porosas, sujetadores flojos o ausentes, tapa o tanque dañados. Corrija todos los defectos antes de operar la máquina lavadora a presión. • El equipo de alta presión está diseñado para ser utilizado UNICAMENTE con las partes autorizadas Sears. Si utiliza este equipo con partes que no cumplan con las especificaciones mínimas, el usuario asume todos los riesgos y responsabilidades. 	

CONOZCA SU LAVADORA DE PRESION

Lea el manual del propietario y las reglas de seguridad antes de poner en marcha su lavadora a presión.

Compare las ilustraciones con su máquina lavadora a presión para familiarizarse con las ubicaciones de los diferentes controles y ajustes. Guarde este manual para referencias futuras.



Abastecza de combustible Válvula - Esté acostumbrado a prende el combustible y lejos al motor.

Arrancador de Retroceso - Usado para arrancar el motor manualmente.

Automático se Enfría Sistema - Los ciclos regan por bomba cuando agua alcanza 125°-155°F. Entibiar agua descargará de la bomba en el suelo. Este sistema previene el daño interno de bomba.

Bomba - Desarrolla alta presión de agua.

El Tanque del Gasolina - Llene el tanque con gasolina regular sin contenido de plomo en este punto.

Entrada de Agua - Conexión para la manguera de jardín.

Extensión para Boquillas con Conexión Rápida - Le permite usar cinco puntas de rociado diferentes.

Filtro de Aire - El elemento de filtro tipo seco limita la cantidad de suciedad y polvo que se introduce en el motor.

Filtro y Tubo para Recolección de Detergente - Usado para succionar detergente de la botella de químicos a la corriente de agua de baja presión.

Manguera de Alta Presión - Conecte un extremo a la pistola de rociado y el otro extremo a la toma de alta presión.

Palanca de Control de la Válvula de Regulación - Coloca el motor en modo de arranque para el arrancador de retroceso.

Perilla del Cebador - Usada para arranque de motores fríos.

Pistola de Rociado - Controla la aplicación de agua sobre la superficie de limpieza con el gatillo. Incluye cerrojo de seguridad.

Presione la Perilla del Control - Varía la presión del rocío alto de la presión.

Puntas de Rociado - Inyección de químicos, 0°, 15°, 25°, 40°: para diferentes aplicaciones de limpieza.

Tapa del Depósito del Aceite - Llene el motor con aceite aquí.

Toma de Alta Presión con Conexión Rápida - Conexión para la manguera de alta presión.

MONTAJE

Su máquina lavadora a presión requiere de cierto ensamble y estará lista para ser usada únicamente después de haber depositado el combustible y el aceite recomendado.

Si tiene problemas con el ensamble de su máquina lavadora a presión, llame a la línea de ayuda de la máquina lavadora a presión al 1-800-222-3136.

IMPORTANTE: Cualquier intento de hacer funcionar el motor sin haber depositado el aceite recomendado resultará en falla del mismo.

RETIRE LA LAVADORA A PRESION DE LA CAJA

- Remueva la manguera a alta presión y la caja con las piezas, incluidas con el lavador de presión.
- Corte dos esquinas en los extremos del cartón desde la parte superior hasta la parte inferior, de tal manera que el pánel pueda ser doblado en forma plana, luego quite todo el material de embalaje.
- Ruede el lavador a presión fuera de la caja.
- Revise la caja para ver si existen partes sueltas adicionales.

CONTENIDO DE LA CAJA

Revise el contenido de la caja. Si alguna de las partes no está presente o está dañada, llame a la línea de ayuda de la máquina lavadora a presión al **1-800-222-3136**.

- Unidad principal
- Manguera de alta presión
- Manecilla
- Pistola rociadora con las piezas de conexión rápida
- Extensión de la lanza con las piezas de conexión rápida
- Botella de aceite para motor
- Varilla para el aceite de la bomba (Guiando en la bomba)
- Caja de accesorios (incluye lo siguiente):
 - Tarjeta de registro del propietario
 - Bolsa con 5 punta de rociado de conexiones rápidas multicolores
 - Manual del propietario
 - Piezas para la manecilla
 - Pernos del Soporte (2)
 - Perilla Plástica (2)

Familiarícese con cada parte antes de ensamblar la máquina lavadora a presión. Compare el contenido con la ilustración de la página 32. Si alguna de la partes no está presente o se encuentra dañada, llame a la línea de ayuda de la máquina lavadora a presión al **1-800-222-3136**.

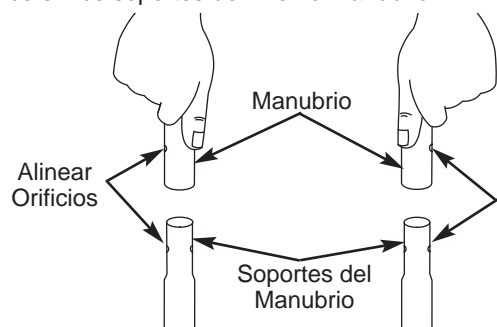
ENSAMBLADO DE SU LAVADORA A PRESIÓN

Su lavadora de presión Craftsman fue ensamblada, en gran medida, en la fábrica. Sin embargo, usted necesitará realizar las siguientes tareas antes de poder operar su lavadora a presión:

1. Llene y mande en tarjeta de matrícula.
2. Conecte manubrio a unidad principal.
3. Remover la tapa para el transporte e instale la varilla para el aceite.
4. Añada aceite al motor.
5. Añada gasolina al tanque de combustible.
6. Conecte manguera a alta presión a pistola rociadora y a bomba.
7. Conecte el suministro de agua a bomba.
8. Conecte boquilla la extensión al pistola rociadora.
9. Selecto/conecta rápido conecta punta de rociado a la extensión de la boquilla.

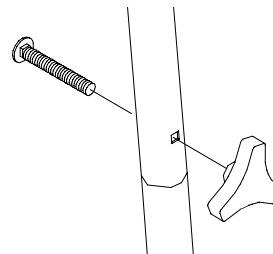
Coloque la Manecilla al Lavador a Presión

1. Coloque el manubrio sobre los soportes del mismo que ya están adheridos a la unidad principal. Asegúrese de que los orificios en el manubrio estén alineados con los orificios en los soportes del mismo manubrio.



NOTA: Tal vez será necesario mover los soportes del manubrio de un lado a otro para alinear el manubrio de tal manera que pueda deslizarse sobre los soportes del mismo manubrio.

2. Inserte el perno del soporte a través de los orificios desde fuera de la unidad y sujete una perilla de plástico desde el interior de la misma unidad. Apriete manualmente.



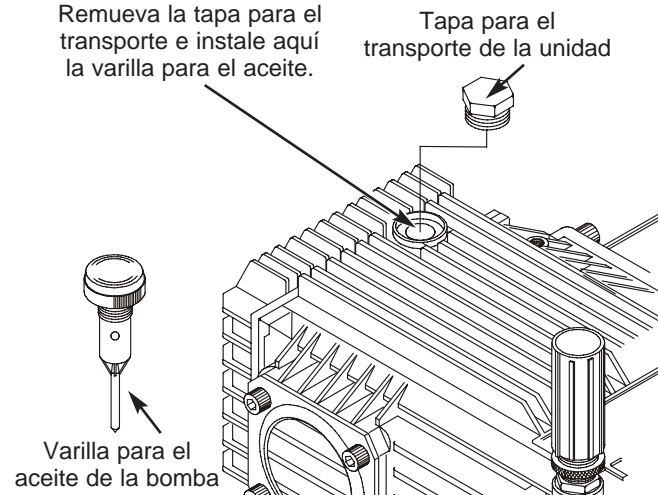
3. Inserte las punta de rociado multicolores en los espacios provistos en la manecilla.

Instale la Varilla del Aceite en la Bomba

¡PRECAUCIÓN! Usted debe remover la tapa para el transporte e instale la varilla para el aceite. Si usted no lo hace anulara la garantía y dañará la bomba.

Para instalar la varilla para el aceite:

1. Asegúrese de que la unidad se encuentra en una superficie plana.
2. Remueva y deseche la tapa para el transporte que se encuentra en la bomba.
Remueva la tapa para el transporte e instale aquí la varilla para el aceite.



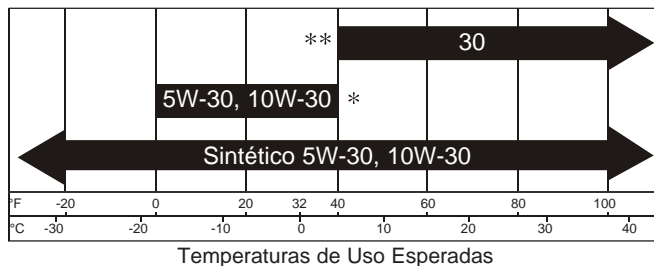
3. Instale la varilla para el aceite.

Agregue Aceite de Motor

IMPORTANTE: Cualquier intento de hacer girar o arrancar el motor antes de que se haya depositado el aceite recomendado puede resultar en falla del motor.

NOTA: Cuando agregue aceite al compartimiento del motor, utilice únicamente aceite detergente de alta calidad, designado con la clasificación API de servicio SF, SG, SH, SJ o superior, clasificado con el peso SAE 30. NO use aditivos especiales.

1. Seleccione una viscosidad de acuerdo a la tabla siguiente:

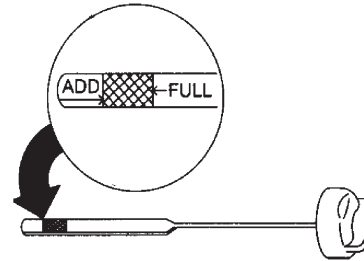


* El uso de aceites multigrado (5W-30, 10W-30, etc.) en temperaturas mayores a los 40°F (4°C) ocasionará un consumo de aceite mayor al normal. Cuando utilice un aceite multigrado, revise con mayor frecuencia el nivel de aceite del motor.

** Si utiliza aceite SAE 30 en temperaturas inferiores a los 40°F (4°C), ocasionará que el arranque sea más difícil e incluso que se desbiele el motor debido a su inadecuada lubricación interna.

2. Coloque la máquina lavadora a presión en una superficie nivelada.

3. Limpie el área alrededor de la abertura para llenado de aceite y retire la varilla de medición del aceite.
4. Limpie la varilla de medición. Vierta el aceite en la abertura de llenado. Vuelva a colocar y apriete la varilla de medición; retírela y revise el nivel del aceite. El aceite debe estar en la marca "Full" ("Lleno") de la varilla de medición. **NO LLENE EXCESIVAMENTE.**



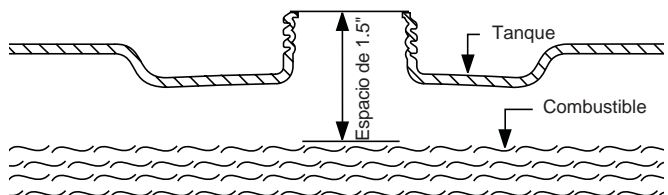
5. Instale la varilla de medición del aceite y apriete la firmemente con la mano.

Agregue Gasolina

¡ADVERTENCIA! NUNCA llene el tanque de combustible en recintos cerrados. NUNCA llene el tanque de combustible cuando el motor esté funcionando o esté caliente. NO fume cuando esté llenando el tanque de combustible.

¡ADVERTENCIA! NUNCA llene por completo el tanque de combustible. Deje espacio para la expansión del combustible. Limpie cualquier derrame de combustible del motor y del equipo antes de darle arranque a la unidad.

1. Use combustible limpio y almacénelo en recipientes cubiertos, limpios y aprobados. Utilice embudos limpios. NUNCA utilice gasolina "vieja" dejada de la estación anterior o gasolina almacenada por periodos de tiempo prolongados.
2. Limpie el área alrededor de la tapa de llenado del combustible, retire la tapa.
3. Agregue lentamente gasolina regular "SIN PLOMO" al tanque de combustible. Use un embudo para evitar que se derrame. Llene el tanque lentamente hasta aproximadamente 1.5" por debajo de la parte la cima del cuello del tubo de llenado.



4. Instale la tapa del tanque de combustible y limpie la gasolina que se haya derramado.

IMPORTANTE: Es importante evitar la formación de depósitos de goma en las partes esenciales del sistema de combustible como en el carburador, filtro del combustible, manguera del combustible o tanque, durante su almacenamiento. Los combustibles mezclados con alcohol (llamados gasohol, etanol

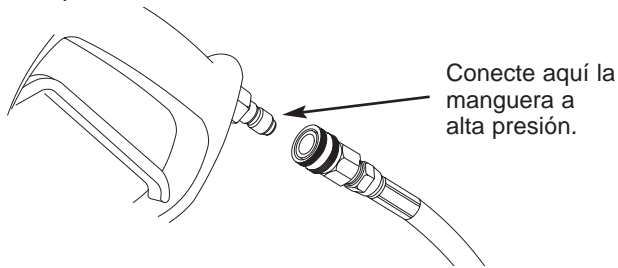
o metanol) pueden atraer la humedad, la cual produce la separación y formación de ácidos durante el almacenamiento. La gasolina ácida puede dañar el sistema de combustible de un motor durante su almacenamiento.

Para evitar problemas en el motor, deberá vaciar el sistema de combustible antes de períodos de almacenamiento de 30 días o más. Vea "Almacenamiento" en la página 43. NUNCA use productos para limpiar motores o carburadores en el tanque del combustible; si lo hace ocurrirán daños permanentes.

Conecte la Manguera y el Suministro de Agua a la Bomba

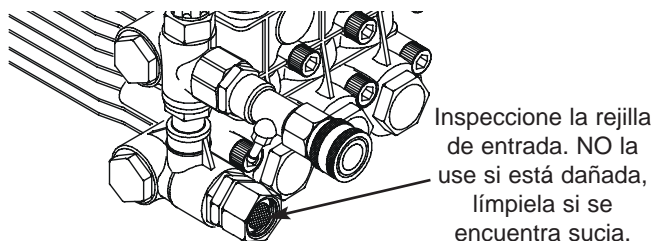
IMPORTANTE: Usted deberá armar la extensión para boquillas y conectar todas las mangueras antes de darle arranque al motor. La bomba resultará dañada si arranca el motor sin tener todas las mangueras conectadas y el suministro agua abierto.

1. Retroceda la manguera a alta presión y conecte el extremo de la conexión rápida de la manguera a la base de la pistola rociadora. Hale el collar de la conexión rápida, deslícelo en la pistola rociadora y suelte el collar. Hálolo en la manguera para asegurarse de que este conectado firmemente.



NOTA: Retire y deseche todos los tapones de transporte de la bomba antes de conectar las mangueras.

2. De la misma manera, conecte el otro extremo de la manguera a alta presión, a la salida de alta presión de la bomba. Hale el collar de la conexión rápida, deslícelo en la bomba y suelte el collar. Hale la manguera para asegurarse que esta bien conectada.
3. Antes de que conecte la manguera de jardín a la entrada de agua, inspeccione el colador de la entrada. Limpie el colador si tiene residuos o solicite su remplazo si está dañado. **NO haga funcionar la máquina lavadora a presión si el colador de la entrada está dañado.**



4. Haga correr el agua a través de la manguera de su jardín por 30 segundos para limpiar cualquier escombros que se encuentre en ella. Desconecte el agua.

IMPORTANTE: Hace NO agua de parar de siphon para el abastecimiento de agua. Use agua SOLO fría (menos que 100°F).

5. Conecte la manguera de jardín a la entrada del agua. Apriete con la mano.

¡PRECAUCIÓN! DEBE haber por lo menos diez pies de manguera de jardín libre entre la entrada de agua de la lavadora a presión y cualquier dispositivo de control de flujo de agua, sea el caso de un conector 'Y' o de cualquier otro tipo de válvula. El daño a la lavadora a presión, resultado de la desatención a esta advertencia, no será cubierto por la garantía.

6. ABRA el suministro del agua y abra la válvula de suministro para purgar la sistema de bomba de aire y impureza.



¡PRECAUCIÓN! Antes de darle arranque a la máquina lavadora a presión, asegúrese de usar protección adecuada para los ojos.

Lista de Revision Previa al Arranque del Motor

Revise la unidad para asegurarse que ha llevado a cabo los siguientes procedimientos:

1. Cerciórese el manecilla es seguro.
2. Remover la tapa para el transporte e instale la varilla para el aceite.
3. Revise que haya sido depositado aceite y esté al nivel correcto en la caja del cigüeñal del motor.
4. Deposite la gasolina adecuada en el tanque del combustible.
5. Revise que todas las conexiones de las mangueras (alta presión y suministro de agua) estén apretadas correctamente y que no existan dobleces, cortes o daño de la manguera de alta presión.
6. Proporcione el suministro de agua adecuado.
7. Asegúrese de leer las secciones "Reglas de Seguridad" y "Cómo Darle Arranque a su Máquina Lavadora a Presión" antes de usar la máquina lavadora a presión.
8. Si va a encender la unidad después de haber estado almacenada, consulte la sección "Almacenamiento" en la página 43.

OPERACION

CÓMO USAR SU MÁQUINA LAVADORA A PRESIÓN

Si tiene problemas operando su máquina lavadora a presión, por favor llame a la línea de ayuda para máquinas lavadoras a presión al **1-800-222-3136**.

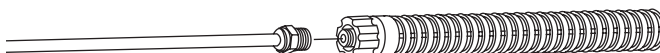
Cómo Darle Arranque a su Máquina Lavadora a Presión

Para darle arranque a su máquina lavadora a presión movida a motor por primera vez, siga estas instrucciones paso a paso. Esta información acerca del arranque inicial también se aplica cuando vaya a darle arranque al motor después de haber dejado de la máquina lavadora a presión fuera de uso por al menos un día.

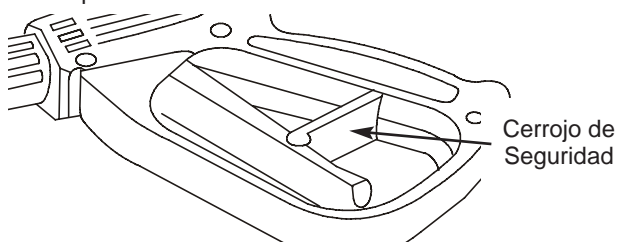
1. Coloque la máquina lavadora a presión en un área cercana a una suministro de agua exterior capaz de abastecer agua a un volumen mayor de 5.0 galones por minuto en no menos que 20 PSI en el fin de arandela de presión de la manga del jardín.
2. Revise que la manguera de alta presión se encuentre conectada firmemente a la pistola de rociado y a la bomba. Vea "Armado de Su Máquina Lavadora a Presión".
3. Asegúrese que la unidad esté nivelada.
4. Conecte la manguera de jardín a la entrada del agua. Apriétela con la mano. **Abra el suministro de agua.**

¡PRECAUCIÓN! NO haga funcionar la bomba si no tiene el suministro conectado y abierto. Deberá cumplir con esta precaución, de otra forma la bomba resultará dañada.

5. Presione el disparador en la pistola para purgar de aire e impurezas el sistema de bombeo.
6. Acople la boquilla de extensión a la pistola aspersora. Apriétela manualmente.



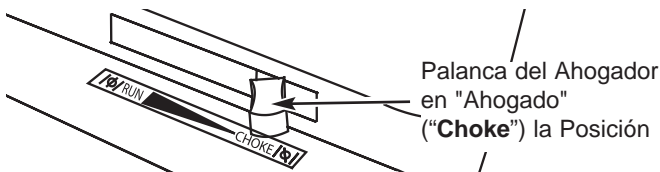
7. Seleccione la boquilla de conexión rápida que usted desee e insértela en el extremo de la extensión de la lanza (Vea "Como Usar las Puntas de Rociado").
8. Fije el pestillo de seguridad al disparador de la pistola aspersora.



9. Gire la válvula de control de combustible a la posición de "Encendido" ("On") (completamente en dirección contraria a las manecillas del reloj).

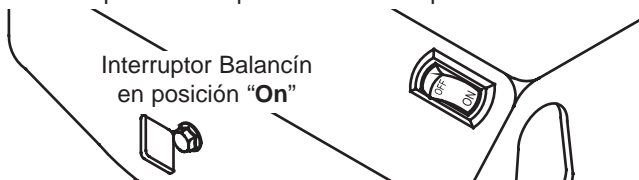


10. Mueva la palanca del ahogador a la posición "Ahogado" ("Choke").



NOTA: En el caso de que el motor esté caliente, asegúrese de que la palanca del ahogador se encuentre en la posición "En marcha" ("Run").

11. Coloque el interruptor balancín a la posición "On".



12. Estire el puño del principio levemente con su mano correcta hasta que usted se sienta alguna resistencia, entonces estira vigorosamente.
13. Jale la cuerda de arranque lentamente. NO permita que la cuerda regrese bruscamente en contra del arrancador.
14. Cuando arranque el motor, mueva lentamente la palanca del ahogador a la posición "En marcha" ("Run"). Si el motor falla, mueva la palanca a la posición "Ahogado" ("Choke"), y después a la posición "En marcha" ("Run").
15. Si los fuegos de motor, pero no continúa correr, Presione el disparador en la pistola para aliviar la presión interna de bomba. Mueva la palanca del ahogador a la posición "En marcha" ("Run"), y repite los pasos 12 por 14.
16. Si el motor no arranca después de 6 tirones, mueva la palanca del ahogador a la posición "En marcha" ("Run"), y repite los pasos 12 por 14.

NOTA: En caso de que resulte difícil jalar el arrancador de retroceso, quizás será necesario apretar con firmeza el disparador de la pistola para disminuir la presión interna de bombeo.



PRECAUCIÓN

Evite las lesiones que puede causar el retroceso.

- Apriete el gatillo de la pistola rociadora cada vez que tire del arrancador de retroceso y que el motor no arranque.

Cómo Detener su Máquina Lavadora a Presión

1. Mueva el interruptor del motor a la posición "Off" (Apagado).
2. Gire la válvula de control de combustible a la posición "Off" ("Apagado").
3. **Apriete el gatillo de la pistola de rociado para eliminar la presión de la manguera.**

NOTA: Observará una pequeña cantidad de agua cuando elimine la presión.

Cómo Usar las Puntas de Rociado

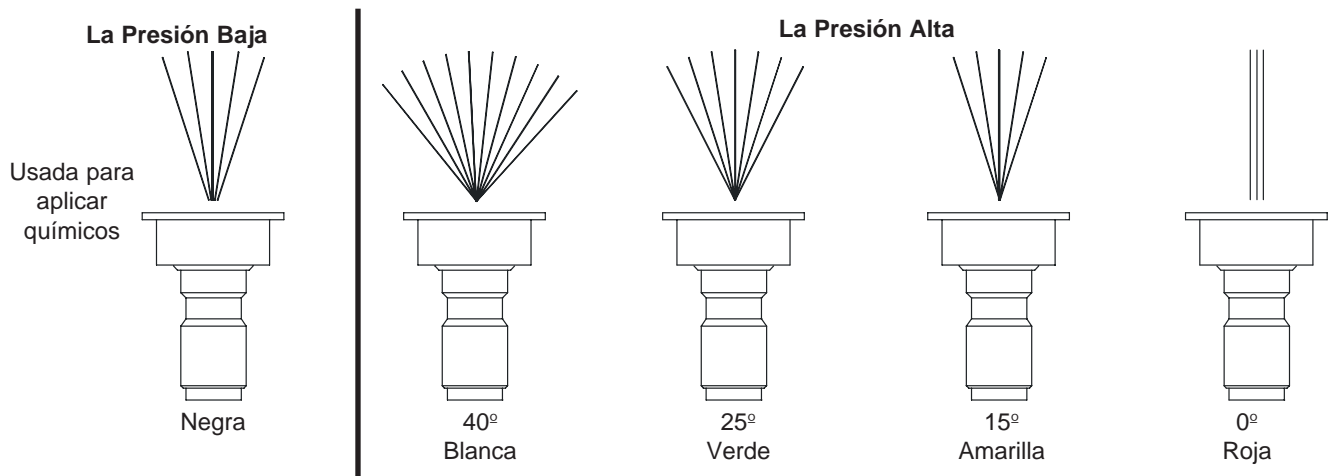


¡PRECAUCIÓN! NO intercambie nunca las puntas de rociado sin bloquear el pestillo de seguridad del gatillo.

El conector rápido del prolongador de la boquilla admite varios tipos distintos de puntas de rociado. Cada punta de rociado proporciona un patrón de rociado diferente.

Para cambiar las puntas de rociado, siga las instrucciones que se indican a continuación:

1. Coloque el pestillo de seguridad de la pistola de rociado.
2. Desplace hacia atrás el anillo del conector rápido y tire de la punta de rociado que esté montada.
3. Seleccione la punta de rociado deseada:
 - Para enjuagado suave, seleccione la punta de rociado blanca de 40° o verde de 25°.
 - Para fregar la superficie, seleccione las puntas de rociado amarilla de 15° ó roja de 0°.
 - Para aplicar productos químicos, seleccione la punta de rociado negra.
4. Desplace hacia atrás el anillo, inserte la nueva punta de rociado y suelte el anillo. Tire de la punta de rociado para comprobar que está bien montada.
5. Para una limpieza más efectiva, mantenga la boquilla de rociado de 8 a 24 pulgadas de la superficie de limpieza. Si coloca la boquilla muy cerca, podría dañar la superficie que está limpiando. NO coloque la boquilla a menos de 6 pulgadas cuando esté limpiando llantas.



Limpieza y Aplicación del Químico

¡PRECAUCIÓN! Usted deberá conectar todas las mangueras antes de darle arranque al motor. Arrancar el motor sin tener todas las mangueras conectadas y sin el suministro de agua ABIERTO (ON) causará el daño de la bomba.

IMPORTANTE: Utilice químicos diseñados específicamente para máquinas lavadoras a presión. Los detergentes caseros podrían dañar la bomba.

Para aplicar el detergente, siga los siguientes pasos:

1. Revise el uso de las puntas de rociado.
2. Prepare la solución detergente siguiendo las instrucciones del fabricante.
3. Coloque el filtro pequeño del tubo de inyección de químicos en el recipiente del detergente.

¡PRECAUCIÓN! Evite que el tubo de inyección de químicos entre en contacto con el silenciador caliente. Si esto sucede, el tubo de inyección de químicos resultará dañado. Cuando coloque el filtro en la botella del químico, coloque el tubo de manera que no entre en contacto accidentalmente con el silenciador caliente.

4. Asegúrese de que la punta de rociado negra esté instalada en la extensión para boquillas.

NOTA: NO se puede aplicar detergente con las puntas de rociado de alta presión (Blanca, Verde, Amarilla o Roja).

5. Asegúrese que la manguera de jardín esté conectada a la entrada del agua. Revise que la manguera de alta presión esté conectada a la pistola de rociado y a la bomba. Dele arranque al motor.
6. Aplique el detergente sobre la superficie seca, comenzando en la parte inferior del área y dirigiéndose hacia arriba, utilizando movimientos largos, parejos y superpuestos. NO permita que el detergente se seque. Si permite que el detergente se seque, la superficie podría quedar con manchas.
7. Permita que el detergente penetre de 3 a 5 minutos antes de enjuagar. Vuelva a aplicar cuando sea necesario para evitar que la superficie se seque.

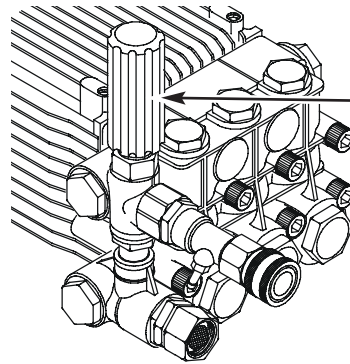
Enjuage de la Máquina Lavadora a Presión



¡ADVERTENCIA! Sea extremadamente cuidadoso si usa la máquina lavadora a presión desde una escalera, andamio o cualquier superficie relativamente inestable. Cuando oprima el gatillo, la fuerza de reacción del rociado inicial podría hacerlo caer. El rociado de la alta presión podría hacerlo caer si está muy cerca de la superficie que está limpiando.

Después de haber aplicado el detergente, refríe la superficie y enjuégala de la siguiente manera:

1. Coloque el cerrojo de seguridad a la pistola de rociado.
2. Retire la punta de rociado negra para químicos de la extensión para boquillas.
3. Seleccione e instale la punta de rociado de alta presión que desee siguiendo las instrucciones de "Cómo Usar las Puntas de Rociado".
4. Mantenga la pistola de rociado a una distancia segura del área que planea rociar.
5. Disminuya o aumente la presión de rociado al darle vuelta a la perilla en la dirección de las manecillas del reloj o en dirección opuesta, respectivamente. Use una presión más baja para lavar cosas como carros o botes. Use una presión más alta para eliminar pintura y la grasa de las calzadas.



¡PRECAUCIÓN! Sujete la pistola de la hidrolavadora firmemente con ambas manos cuando utilice el rociado a alta presión. De esta manera evitará lesiones producidas por el posible golpe de la pistola hacia atrás.

6. Aplique un rociado de alta presión en un área pequeña, después revise si la superficie presenta daños. Si no encuentra daños, puede continuar con el trabajo de limpieza.
7. Comience en la parte superior del área que va a enjuagar, dirigiéndose hacia abajo con los mismos movimientos superpuestos que utilizó para la limpieza.

Sistema de Enfriamiento Automático (Alivio Térmico)

El agua que circula dentro de la bomba puede alcanzar temperaturas entre los 125°-155°F si hace funcionar el motor de su máquina lavadora a presión de 3 a 5 minutos sin oprimir el gatillo de la pistola de rociado. El sistema de enfriamiento automática se activa a esta temperatura y enfría la bomba **descargando agua caliente en el piso**, evitando así el daño interno de la bomba.

MANTENIMIENTO

RESPONSABILIDADES DEL PROPIETARIO

Siga el programa de mantenimiento según el número de horas o según el calendario, lo que suceda primero. Se requiere de servicio con mayor frecuencia cuando opere la unidad en las condiciones adversas descritas a continuación.

CALENDARIO DE MANTENIMIENTO ANOTE LAS FECHAS CONFORME CUMPLA CON EL SERVICIO NORMAL	INTERVALO DE OPERACIÓN POR HORA					FECHAS DE SERVICIO		
	Antes de Cada Uso	Cada 25 Horas o al Año	Cada 50 Horas o al Año	Cada 100 Horas o al Año	Cada 200 Horas o 3 meses			
LAVADORA A PRESIÓN								
Revise/limpie el filtro de la entrada de agua	X ¹							
Revise la manguera de alta presión	X							
Revise la manguera del detergente	X							
Revise la pistola aspersora y verifique que no haya fugas en el ensamblaje	X							
Purgue la bomba de aire y de contaminantes	X							
Cambio del aceite de la bomba					X ⁴			
Prepare la bomba para almacenarla a menos de 32°F	Vea "Almacenamiento" en la página 43.							
Motor								
Verificar el nivel de aceite	X							
Cambiar el aceite del motor			X ²					
Mantenimiento del prefiltro del filtro de aire		X ³						
Servicio al filtro de aire				X ³				
Servicio a la bujía				X				
Servicio al sistema de la bujía			X					
Prepar almacenamiento	Si la unidad permanecerá sin uso por más de 30 días.							

- 1 Limpiar si está obstruido. Reemplazar si está perforado o roto.
- 2 Cambiar el aceite después de las primeras (5) horas y después cada 50 horas o al año, el que ocurre primero, después. Hacer el cambio de aceite con mayor frecuencia cuando trabaje en condiciones de mucha suciedad o polvo.
- 3 Reemplazar más a menudo bajo condiciones de suciedad o polvo.
- 4 Cambiar el aceite de la bomba después de las primeras (50) horas y después cada 200 horas o 3 meses, el que ocurre primero, después.

ESPECIFICACIONES DEL PRODUCTO

Especificaciones de la Máquina Lavadora a Presión

Presión3400 PSI
 Velocidad de flujo4.0 GPM
 Mezcla de químicosUse según instrucciones
 Temperatura del suministro de aguaQue no exceda los 100°F
 Peso que Embarca116 lbs.

Especificaciones del Motor

Caballos de fuerza11.0 HP
 Bujía
 ResistorChampion RC12YC
 Platino de Larga Duración .Champion RC12PYP
 Calibre la separación a: . . .0.030 pulgadas (0.76 mm)
 Capacidad de gasolina4.0 Cuartos
 Aceite
 Por encima de 40°F . . .SAE 30
 0°F - 40°FSAE 5W-30 o 10W-30

RECOMENDACIONES GENERALES

La garantía de la máquina lavadora a presión no cubre los elementos que han sido sujetos a abuso o negligencia por parte del operador. Para hacer válida la cobertura total de la garantía, el operador deberá mantener la lavadora de presión tal y como se indica en el manual, incluyendo su adecuado almacenamiento, como se describe en la sección "Almacenamiento" en la página 43.

Algunos ajustes tendrán que hacerse periódicamente para mantener adecuadamente su máquina lavadora a presión.

Todos los servicios y ajustes deberán hacerse por lo menos una vez en cada estación. Siga las instrucciones de la tabla "Programa de Mantenimiento" descrita anteriormente.

NOTA: Una vez al año, usted deberá limpiar o reemplazar la bujía y el filtro de aire. Una bujía nueva y un filtro de aire limpio garantizan una mezcla de combustible-aire adecuada y le ayuda a su motor a funcionar mejor y a tener una vida útil más prolongada.

ANTES DE CADA USO

1. Revise el nivel de aceite del motor.
2. Revise si existen daños en el colador de la entrada de agua.
3. Revise si existen daños en el filtro en línea.
4. Revise si existen fugas en la manguera de alta presión.
5. Revise si existen daños en los filtros de químicos.
6. Revise si existen fugas en el conjunto de la extensión para boquillas y pistola.
7. Elimine el aire y los contaminantes de la bomba.

MANTENIMIENTO DE LA MAQUINA LAVADORA A PRESION

Revise y Limpie el Colador de Entrada

Examine el colador de entrada de la manguera de jardín. Límpielo si está tapado o remplace si está roto.

Revise la Manguera de Alta Presión

Las mangueras de alta presión pueden desarrollar fugas debido al desgaste, dobleces o abuso. Revise la manguera antes de cada uso. Revise si existen cortes, fugas, abrasiones, levantamiento de la cubierta, daño o movimiento de los acoplamientos. Si existe cualquiera de estas condiciones, remplace la manguera inmediatamente.



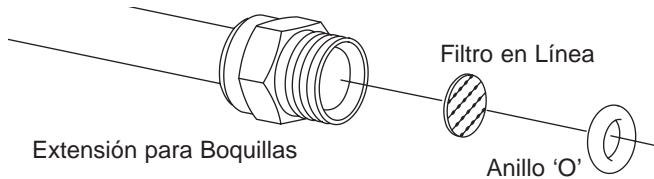
¡PRECAUCIÓN! NUNCA repare la manguera de alta presión. Remplacela con una manguera que cumpla con la capacidad mínima de presión de su máquina lavadora a presión.

Revise la Pistola y la Extensión para Boquillas

Examine la conexión de la manguera a la pistola y cerciórese de que esté en buen estado. Pruebe el gatillo oprimiéndolo y asegurándose de que se devuelve a su sitio cuando lo suelte. Coloque el cerrojo de seguridad y pruebe el gatillo. Usted no debe ser capaz de oprimir el gatillo. Remplace la pistola inmediatamente si falla cualquiera de estas pruebas.

Revise el Filtro en Línea

Consulte la ilustración y suministre servicio al filtro en línea si se tapa siguiendo estos pasos:



1. Retire la pistola y la extensión para boquillas de la manguera de alta presión. Retire la extensión para boquillas de la pistola y retire el anillo 'O' y el colador de la extensión para boquillas. Lave el interior del colador, pistola y extensión para boquillas con agua limpia para eliminar toda clase de residuos.

2. Coloque el colador del filtro en línea en el extremo con rosca de la extensión para boquillas. Su dirección no importa. Coloque el colador ejerciendo presión con el borrador de un lápiz hasta que se asiente por completo en el fondo de la abertura. Tenga cuidado de no doblar el colador.
3. Coloque el anillo 'O' en la ranura respectiva. Empuje el anillo 'O' hasta que quede ajustado contra el colador del filtro en línea.
4. Conecte la extensión para boquillas a la pistola de rociado de la manera descrita con anterioridad en este manual.

Elimine el Aire y los Contaminantes de la Bomba

Para retirar el aire de la bomba, siga los siguientes pasos:

1. Instale la máquina lavadora a presión como está descrito en la sección de MONTAJE y conecte el suministro de agua.
2. Hale el gatillo de la pistola y manténgalo apretado hasta que obtenga una corriente de agua constante.

Para retirar los contaminantes de la bomba, siga los siguientes pasos:

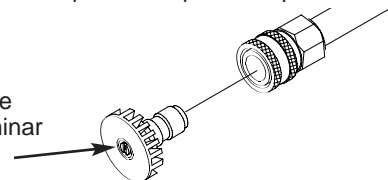
1. Instale la máquina lavadora a presión como está descrito en la sección de MONTAJE y conecte el suministro de agua.
2. Retire la extensión para boquillas de la pistola.
3. Ponga en marcha el motor de acuerdo a las instrucciones de la sección OPERACION.
4. Hale el gatillo de la pistola y manténgalo apretado.
5. Cuando el suministro de agua sea uniforme y constante, enganche el cerrojo de seguridad y vuelva a instalar la extensión para boquillas.

Mantenimiento de las Boquillas

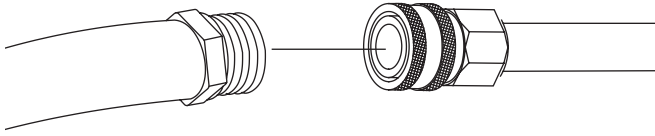
Si siente una sensación pulsante al momento de apretar el gatillo de la pistola rociadora, puede que sea causada por la presión excesiva en la bomba. La causa principal de la presión excesiva en la bomba es cuando la boquilla se encuentra atascada o tapada con materiales extraños, tales como tierra, etc. Para corregir el problema, limpie inmediatamente la boquilla usando las herramientas incluidas con su lavador a presión y siga las instrucciones siguientes:

1. Apague el motor y apague el suministro de agua.
2. Remueva la punta de rociado del extremo de la extensión de la boquilla.
3. Quite el filtro de la línea del otro fin de la extensión de boquilla.
4. Use un pequeño sujetapapeles para liberar cualquier material extraño que esté tapando la punta de rociado.

Use el alambre aquí para eliminar los residuos.



- Usando una manguera de jardín, remueva cualquier desecho adicional, poniendo agua en la extensión de la boquilla. Haga ésto de 30 a 60 segundos.



- Instale de nuevo la punta de rociado y en el filtro en línea en la extensión.
- Conecte de nuevo la extensión de la boquilla a la pistola rociadora.
- Conecte de nuevo el suministro de agua, prenda el agua, y encienda el motor.
- Pruebe el lavador a presión al hacer funcionar con cada una de las punta de rociado de Conexiones rápidas que viene con el lavador a presión.

Mantenimiento de los Anillos 'O'

Compre una O–Juego de Reparación de Anillo, el artículo numerado 7175116, en sus Sears locales o llamando **1-800-366-PART** o en línea en www.sears.com. No se incluye con la arandela de la presión. Este juego incluye los anillos del reemplazo O, arandela de caucho y filtro de cala de agua. Refiérase a la hoja de la instrucción proporcionada en el juego para atender a su unidad'los anillos de s O.

Mantenimiento de Bomba

Cambio del Aceite de la Bomba

Cambie el aceite después de las primeras 50 horas de funcionamiento y luego, cada 200 horas o 3 meses, lo que suceda antes.

NOTA: Al cambiar el aceite de la bomba, use exclusivamente aceite no detergente de alta calidad de viscosidad 30. NO utilice aditivos especiales.

Cambie el aceite como se indica a continuación:

- Limpie la zona de alrededor del tapón de vaciado de aceite de latón que se encuentra en la parte inferior de la bomba.
- Retire el tapón de vaciado de aceite. Vacíe todo el aceite de la bomba en un recipiente homologado.
- Cuando la bomba se haya vaciado completamente de aceite, vuelva a colocar el tapón de vaciado y apriételo firmemente.
- Limpie la zona de alrededor de la varilla de nivel de aceite de la bomba. Extraiga la varilla de nivel y llene la bomba con el aceite recomendado hasta que el nivel llegue a la marca "Full" (Lleno) de la varilla.
- Vuelva a poner la varilla de nivel de aceite de la bomba en su lugar.
- Limpie el aceite que se haya podido derramar.

MANTENIMIENTO DEL MOTOR

Revisión del Nivel del Aceite

El nivel del aceite deberá ser revisado antes de cada uso o al menos cada 5 horas de operación. Conserve el nivel del aceite.

Cambio de Aceite

Deberá cambiarse el aceite de su unidad después de las primeras 5 horas de uso y cada 50 horas a partir de entonces. Si está utilizando su lavadora a presión bajo condiciones extremadamente severas de mugre, polvo, o de agua demasiado caliente, cambie el aceite más seguido.



¡PRECAUCIÓN! Evite el contacto prolongado o repetido de piel con aceite usado de motor. El aceite usado del motor ha sido mostrado al causar cáncer de la piel de la causa en ciertos animales del laboratorio. Completamente lavado expuso áreas con el jabón y el agua.



¡PRECAUCIÓN! MANTENGA FUERA DE ALCANCE DE NIÑOS. NO CONTAMINE. CONSERVE los RECURSOS. VUELVA ACEITE USADO A la COLECCION CENTRA.

Cambie el aceite mientras el motor todavía está caliente después de haber estado en marcha, de la siguiente manera:

- Drene el tanque de combustible haciendo funcionar la lavadora hasta que el tanque esté vacío.
- Desconecte el cable de la bujía y manténgalo alejado de la bujía.
- Quite la tapa del drenaje de aceite y vacíe el aceite en un recipiente apropiado.
- Reinstale en su lugar la tapa del drenaje. Remueva la varilla de nivel.
- Limpie el área alrededor de la abertura para llenado de aceite y retire la varilla de medición del aceite.
- Limpie la varilla de medición. Vierta el aceite en la abertura de llenado. Vuelva a colocar y apriete la varilla de medición; retírela y revise el nivel del aceite. El aceite debe estar en la marca "Full" ("Lleno") de la varilla de medición. **NO LLENE EXCESIVAMENTE.**
- Instale la varilla de medición del aceite y apriete la firmemente con la mano.
- Limpie cualquier residuo de aceite que haya quedado.
- Vuelva a conectar el cable de la bujía a la bujía.

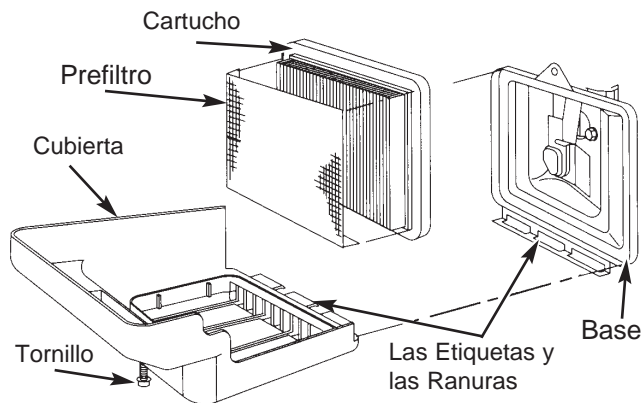
Servicio del Depurador de Aire

Su motor no funcionará adecuadamente y puede dañarse si usted lo hace funcionar con un depurador de aire sucio.

Revise el prefiltro cada 25 horas y el cartucho cada 100 horas de funcionamiento, lo que suceda antes. Haga revisiones más frecuentes si trabaja en zonas sucias o donde hay polvo. Los repuestos se encuentran disponibles en su centro de servicio local Sears.

Para revisar el filtro de aire, siga estos pasos:

1. Afloje el tornillo y quite la cubierta.



2. Extraiga el prefiltro y el cartucho.
3. Separe el prefiltro del cartucho y limpie el prefiltro con detergente líquido y agua. Séquelo perfectamente con aire. NO engrase el prefiltro.
4. Para limpiar el cartucho, golpee ligeramente su costado de papel plegado sobre una superficie firme.
5. Instale un conjunto de filtro de aire limpio (o nuevo) en el interior de la tapa. Instale el prefiltro con las flechas hacia arriba y con el borde por debajo de los pliegues del cartucho. Deseche el filtro viejo con arreglo a la normativa vigente.
6. Inserte las lengüetas de la cubierta en las ranuras que se encuentran en el fondo de la base.
7. Coloque la cubierta en su lugar y apriete el tornillo firmemente a la base.

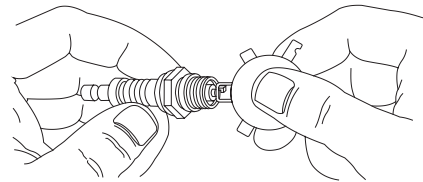
NOTA: Usted puede comprar los elementos del filtro de aire nuevos llamando al **1-800-366-PART**.

Remplace la Bujía

Remplace la bujía anualmente o cada 100 horas de operación.

¡PRECAUCIÓN! Desconecte el alambre de la bujía y manténgalo alejado de la misma.

1. Limpie el área alrededor de la bujía y retírela.
2. Retire y revise la bujía.
3. Para el uso del reemplazo o el bujía uniforme de la chispa de reóstato, el Champion RC12YC o el bujía largo de la chispa de platino de vida, el Champion RC12PYP.
4. Revise la separación del electrodo con un calibrador de alambre y ajuste la separación a 0.030 pulgadas (0.76 mm), si es necesario.



5. Instale la bujía y apriete la firmemente.

NOTA: Puede adquirir nuevas bujías al número telefónico **1-800-366-PART**.

Carburador

Si usted cree que su carburador necesita ajuste, visite su centro de servicio Sears más cercano. El funcionamiento del motor podría resultar afectado a altitudes por encima de 3,000-7,000 pies. Para operaciones a elevaciones mayores, póngase en contacto con el centro de servicio Sears más cercano.

Servicio del Apagachispas

El motor de su unidad no viene equipado de fábrica con un apagachispas. En ciertas áreas, es ilegal operar motores que no tengan apagachispas. Revise las leyes y regulaciones locales. Si necesita apagachispas, lo puede comprar en su centro de servicio Sears más cercano. Para obtener el número de parte llame al **1-800-366-PART**.

Deberá suministrarle servicio al apagachispas cada 50 horas para conservarlo en buenas condiciones de funcionamiento.

Si el motor ha estado funcionando, el silenciador estará bastante caliente. Deje que el silenciador se enfríe para poder darle servicio al apagachispas.

- Retire la pantalla del apagachispas para limpieza e inspección.
- Remplace la pantalla si está dañada.

ALMACENAMIENTO

DESPUES DE CADA USO

No deberá haber agua en la unidad por largos períodos de tiempo. Los sedimentos de minerales se pueden depositar en partes de la bomba y “congelar” su funcionamiento. Lleve a cabo estos procedimientos después de cada uso:

1. Lave el tubo de succión de detergente colocando el filtro en un balde de agua limpia al mismo tiempo que hace funcionar la máquina lavadora a presión en el modo de baja presión (boquilla ajustable en posición delantera). Lave por un minuto o dos minutos.
2. Apague el motor y déjelo enfriar, después retire todas las mangueras.
3. Desconecte el alambre de la bujía.
4. Saque todos los líquidos de la bomba halando la manija de retroceso aproximadamente 6 veces. Esto deberá evacuar la mayoría del líquido de la bomba.
5. Si planea almacenar la unidad por más de 30 días, vea la sección "Almacenamiento Prolongado" en próxima página.
6. Desconecte la manguera de la pistola y la toma de alta presión de la bomba. Drene el agua de la manguera, pistola, y extensión de la boquilla y límpiela con un trapo.
7. Revise la manguera de alta presión para ver si presenta daños. Los cortes en la manguera o el desgaste de la misma pueden ocasionar fugas y pérdida de presión. Si encuentra algún daño, reemplace la manguera. NO intente reparar una manguera dañada. Reemplace la manguera con la parte Sears genuina.
8. La manga del rollo y apropiadamente lo cuelga en el apoyo de alambre proporcionado.
9. Vuelva a conectar el alambre a la bujía.
10. Almacene la unidad en una área limpia y seca.



¡ADVERTENCIA! NUNCA almacene el motor con combustible en el tanque en recintos cerrados o en áreas encerradas con poca ventilación donde los vapores puedan entrar en contacto con llamas abiertas, chispas o luces de piloto.

ALMACENAMIENTO PARA INVIERNO

¡PRECAUCIÓN! Usted deberá proteger su unidad de las temperaturas de congelamiento. Si no lo hace, dañará permanentemente la bomba y la unidad no podrá funcionar. La garantía no cubre el daño de la unidad ocasionado por congelamiento.

Para proteger la unidad de las temperaturas de congelamiento:

1. Lave el tubo de succión de detergente colocando el filtro en un balde de agua limpia al mismo tiempo que hace funcionar la máquina lavadora a presión en el modo de baja presión (boquilla ajustable en posición delantera). Lave por un minuto o dos minutos.
2. Saque todos los líquidos de la bomba halando la manija de retroceso aproximadamente 6 veces. Esto deberá evacuar la mayoría del líquido de la bomba.
3. Utilice un PumpSaver, disponible en Sears con el número de catálogo 7174403, para cuidar la bomba. Aquél protege a la unidad contra el congelamiento y lubrica tanto los pistones como los empaques.
4. Si el PumpSaver no está disponible, conecte un tramo de 3 pies de manguera de jardín a la entrada de agua. Vierta anticongelante RV (anticongelante sin alcohol) en la manguera. Jale la manija de arranque dos veces. Desconecte después la manguera de 3 pies.

ALMACENAMIENTO PROLONGADO

Si usted no planea usar la máquina lavadora a presión por más de 30 días, deberá preparar el motor para un almacenamiento prolongado.

Es importante evitar la formación de depósitos de goma en las partes esenciales del sistema del combustible tales como carburador, filtro del combustible, manguera o tanque del combustible durante el almacenamiento. También, la experiencia indica que los combustibles con mezclas de alcohol (llamados gasohol, etanol o metanol) pueden atraer la humedad, lo que lleva a la separación y formación de ácidos durante el almacenamiento. La gasolina ácida puede dañar el sistema del combustible de un motor durante el almacenamiento.

Proteja el Sistema de Combustible

Aditivo para Combustible:

Si va a usar aditivo para combustible, llene el tanque de combustible con gasolina fresca. Si el tanque está parcialmente lleno, el aire del tanque va a promover el deterioro del combustible durante el almacenamiento. El motor y el combustible pueden ser almacenados hasta 24 meses con aditivo.

1. Deposite el aditivo para combustible siguiendo las instrucciones del fabricante.
2. Asegúrese de tener conectado y ABIERTO el suministro de agua a la entrada de la bomba.
3. Ponga en funcionamiento el motor en un área descubierta por 10 minutos para asegurarse de que la gasolina tratada ha reemplazado la gasolina no tratada del carburador.

Si no usa aditivo para combustible, retire todo el combustible del tanque y haga funcionar el motor hasta que se detenga por falta de combustible.

Cambio de Aceite

Con el motor todavía caliente, drene el aceite de la caja del cigüeñal. Vuelva a llenarlo con el grado de aceite recomendado. Vea "Cambio de Aceite" en la página 41.

Aceite el Diámetro Interior del Cilindro

- Retire la bujía. Rocíe aproximadamente 1 onza de aceite limpio para motor dentro del cilindro. Cubra el orificio de la bujía con un trapo. Hale la manija de retroceso lentamente para distribuir el aceite. Evite el rociado del orificio de la bujía.
- Instale la bujía. NO conecte el alambre de la bujía.

Protección de la Bomba

Para proteger la bomba del posible daño ocasionado por la acumulación de restos de partículas minerales o por congelamiento, utilice el PumpSaver (número de ítem Sears 7174403).



¡PRECAUCIÓN! Lea y siga todo advierte y las advertencias en el PumpSaver pueden marcar. Siempre protección de ojo de uso cuando se usa PumpSaver.

Al uso PumpSaver, cerciórese la arandela de la presión se apaga y desconecta del agua del suministro. Lea y siga todas instrucciones y las advertencias dadas en el contenedor de PumpSaver.

NOTA: Si el PumpSaver no está disponible, ponga anticongelante RV (que no contenga alcohol) en la bomba, en una sección de 3 pies de la manguera del jardín conectada a un adaptador y halando la manecilla dos veces.

NOTA: PumpSaver goteará de la bomba después que el tratamiento y manchará madera y cemento.

OTROS

- NO almacene gasolina de una estación a otra.
- Si es posible, almacene su unidad en un recinto cerrado y cúbrala para protegerla del polvo y la suciedad.

ASEGURESE DE VACIAR EL TANQUE DEL COMBUSTIBLE.

IMPORTANTE: NUNCA cubra su máquina lavadora a presión cuando el motor y el área del escape estén calientes.

REPARACION DE DAÑOS

Problema	Causa	Solución
La bomba presenta los siguientes problemas: no produce presión o produce una presión errada, traqueteo, pérdida de presión, bajo volumen de agua.	<ol style="list-style-type: none"> 1. La boquilla está en el modo de baja presión. 2. La entrada de agua está bloqueada. 3. Suministro de agua inadecuado. 4. La manguera de entrada está doblada o presenta fugas. 5. El colador de la manguera de la entrada de agua está tapado. 6. El suministro de agua está por encima de los 100°F. 7. La manguera de alta presión está bloqueada o presenta fugas. 8. La pistola presenta fugas. 9. La boquilla está obstruida. 10. Bomba defectuosa. 	<ol style="list-style-type: none"> 1. Mueva la boquilla hacia atrás para el modo de alta presión. 2. Limpie la entrada. 3. Proporcione flujo de agua adecuado. 4. Estire la manguera de entrada, coloque un parche en la fuga. 5. Revise y limpie el colador de la manguera de entrada. 6. Proporcione suministro de agua más fría. 7. Retire las obstrucciones de la manguera de salida. 8. Reemplace la pistola. 9. Limpie la boquilla. 10. Póngase en contacto con el centro de servicio Sears.
El detergente no se mezcla con el rociado.	<ol style="list-style-type: none"> 1. El tubo de succión de detergente no está sumergido. 2. El filtro de químicos está tapado. 3. Sucio en el filtro de la línea. 4. La boquilla está en el modo de alta presión. 	<ol style="list-style-type: none"> 1. Coloque el tubo de succión de detergente en el detergente. 2. Limpie o reemplace el filtro/tubo de succión de detergente. 3. Vea "Cheque En el Filtro de la Línea". 4. Mueva la boquilla hacia adelante para el modo de baja presión.
El motor funciona bien cuando no tiene cargas, pero funciona "mal" cuando se conecta una carga.	La velocidad del motor es demasiado lenta.	Mueva el control de la válvula de regulación a la posición FAST (RAPIDO). Si el motor continúa funcionando mal, póngase en contacto con el centro de servicio Sears.
El motor no arranca; o arranca y funciona mal.	<ol style="list-style-type: none"> 1. Depurador de aire sucio. 2. Sin gasolina. 3. Gasolina vieja. 4. El alambre de la bujía no está conectado a la bujía. 5. Bujía mala. 6. Agua en la gasolina. 7. Estrangulación excesiva o inundado. 8. Mezcla de combustible demasiado rica. 9. Válvula de entrada trabada en la posición abierta o cerrada. 10. El motor ha perdido compresión. 	<ol style="list-style-type: none"> 1. Limpie o reemplace el depurador de aire. 2. Llene el tanque de combustible. 3. Drene el tanque de gasolina; llénelo con combustible fresco. 4. Conecte el alambre a la bujía. 5. Reemplace la bujía. 6. Drene el tanque de gasolina; llénelo con combustible fresco. 7. Abra el cebador por completo y haga girar el motor. 8. Póngase en contacto con el centro de servicio Sears. 9. Póngase en contacto con el centro de servicio Sears. 10. Póngase en contacto con el centro de servicio Sears.
El motor se apaga durante la operación.	Sin gasolina.	Llene el tanque de combustible.
El motor no tiene fuerza.	Filtro de aire sucio.	Reemplace el filtro de aire.
El motor intenta estabilizarse o su funcionamiento no es constante.	Cebador abierto demasiado rápido.	Mueva el cebador a la posición intermedia hasta que el motor funcione normalmente.

DECLARACION DE LA GARANTIA DE CONTROL DE EMISIONES

Sears, Roebuck and Co., U.S.A. (Sears), California Air Resources Board (Consejo de Recursos sobre el Aire de California, CARB, por sus siglas en inglés) y United States Environmental Protection Agency (Agencia de Protección Ambiental de EE.UU. , EPA, por sus siglas en inglés).

Declaración de garantía del sistema de control de emisiones (derechos y obligaciones del propietario para la garantía contra defectos)

LA COBERTURA DE LA GARANTÍA DE CONTROL DE EMISIONES SE APLICA A LOS MOTORES CERTIFICADOS ADQUIRIDOS EN CALIFORNIA EN 1995 Y POSTERIORMENTE, QUE SE UTILICEN EN CALIFORNIA, Y A MOTORES CERTIFICADOS MODELO 1997 Y POSTERIORES QUE SEAN ADQUIRIDOS Y UTILIZADOS EN OTRA REGIÓN DE ESTADOS UNIDOS (Y A PARTIR DEL 1º DE ENERO DE 2001, EN CANADÁ).

Declaración de garantía sobre el control de emisiones de la EPA de EE.UU. y California.

El California Air Resources Board (CARB), la EPA de EE.UU. y Sears se complacen en explicar la Garantía para el sistema de control de emisiones para motores pequeños para exteriores (SORE) modelos año 2000 y posteriores. En California, los nuevos motores pequeños para exteriores se deben diseñar, construir y equipar para cumplir con las estrictas normas del estado contra el smog. En otras regiones de Estados Unidos, los nuevos motores para interiores de ignición por chispa certificados para modelos año 1997 y posteriores deben cumplir con normas similares establecidas por la EPA de EE.UU. Sears debe garantizar el sistema de control de emisiones de su motor para los períodos indicados a continuación, siempre y cuando no se haya abusado, descuidado o dado mantenimiento incorrecto al motor pequeño para exteriores.

Su sistema de control de emisiones podrá incluir partes como el carburador o el sistema de inyección de combustible, el sistema de ignición y el convertidor catalítico. También se pueden incluir mangueras, correas, conectores y otros componentes relacionados con las emisiones.

Cuando exista una condición que pueda ser cubierta por la garantía, Sears reparará el motor pequeño para exteriores sin costo alguno, incluyendo el diagnóstico, las partes de repuesto y la mano de obra.

Cobertura de la garantía de Sears contra defectos en el control de emisiones

Los motores pequeños para exteriores modelos 1995 y posteriores tienen una garantía de dos años. Si alguna parte de su motor relacionada con las emisiones está defectuosa, Sears la reparará o sustituirá.

Responsabilidades del propietario para la garantía

Como propietario del motor pequeño para exteriores, usted es responsable de realizar las actividades de mantenimiento requeridas que se indican en este manual del propietario. Sears recomienda que conserve todos los recibos que cubran el mantenimiento de su motor pequeño para exteriores, pero Sears no puede negar la garantía solamente por la falta de recibos ni por su imposibilidad de garantizar la realización de todas las actividades de mantenimiento programadas.

Como propietario del motor pequeño para exteriores, usted siempre debe tener en cuenta que Sears podrá negar la cobertura de la garantía si su motor pequeño para exteriores o una parte del mismo presenta fallas debido a abuso, descuido, mantenimiento incorrecto o modificaciones no aprobadas.

Usted es responsable de presentar su motor pequeño para exteriores a un Centro de servicio Sears aprobado tan pronto como se presente el problema. Las reparaciones bajo garantía deberán concluirse en un período razonable, que no excederá de 30 días.

Si tiene alguna pregunta con respecto a sus derechos y responsabilidades para la garantía, póngase en contacto con un representante de servicio Sears al 1-800-469-4663.

Disposiciones de la garantía de Sears contra defectos en el control de emisiones

Las siguientes son disposiciones específicas relacionadas con la cobertura de la garantía contra defectos en el control de emisiones.

1. Partes garantizadas

La cobertura bajo esta garantía incluye solamente aquellas partes que se enumeran a continuación (las partes del sistema de control

de emisiones) en la medida que dichas partes hayan estado presentes en el motor adquirido.

- a. Sistema de medición de combustible.
Sistema de enriquecimiento para arranque en frío.
Carburador y partes internas.
Bomba de combustible.
- b. Sistema de inducción de aire.
Filtro de aire.
Colector de entrada.
- c. Sistema de ignición.
Bujías.
Sistema de ignición por magneto.
- d. Sistema catalizador.
Convertidor catalítico.
Colector de escape.
Sistema de inyección de aire o válvula por impulsos.
- e. Distintos elementos utilizados en los sistemas anteriores.
Válvulas e interruptores de vacío, temperatura, posición y de detección de tiempo.
Conectores y conjuntos.

2. Vigencia de la cobertura

Sears garantiza al propietario inicial y a cada propietario subsiguiente que las partes garantizadas estarán libres de defectos en material y en mano de obra, que ocasionen fallas de las partes garantizadas durante un período de dos años a partir de la fecha en que el motor sea entregado al comprador minorista.

3. NO habrá cargos

La reparación o reemplazo de cualquier parte garantizada se realizará sin cargo alguno para el propietario, incluyendo la mano de obra de diagnóstico que derive en la determinación de que una parte garantizada está defectuosa, si la labor de diagnóstico se realiza en un Centro de servicio Sears aprobado.

4. Reclamos y exclusiones de cobertura

Los reclamos vinculados con la garantía se presentarán conforme a las disposiciones de la Póliza de garantía de Sears. La cobertura de la garantía se excluirá para aquellas fallas de partes garantizadas que no sean partes originales de Sears o debido a abuso, descuido o mantenimiento incorrecto, según se establece en la Póliza de garantía de motores de Sears. Sears no es responsable por la cobertura de fallas de partes garantizadas ocasionadas por el uso de partes adicionales, no originales o modificadas.

5. Mantenimiento

Cualquier parte garantizada cuyo reemplazo no esté programado como mantenimiento requerido o que esté programada únicamente para inspección frecuente con el fin de "reparar o reemplazar conforme sea necesario", estará garantizada en cuanto a defectos por el período de la garantía. Cualquier parte garantizada cuyo reemplazo esté programado como mantenimiento requerido tendrá solamente una garantía contra defectos únicamente por el período hasta el primer reemplazo programado para esa parte. Se podrá utilizar cualquier parte de repuesto que tenga un rendimiento y durabilidad equivalentes, al realizar cualquier actividad de mantenimiento o reparación. El propietario es responsable de realizar todo el mantenimiento requerido, según se define en este manual del propietario.

6. Cobertura consiguiente

La cobertura bajo la presente se ampliará a la falla de cualquier componente del motor provocada por un desperfecto en cualquier parte garantizada que siga gozando de la cobertura de la garantía.

En EE.UU. y Canadá contamos con una línea de emergencia las 24 horas (1-800-469-4663), que ofrece un menú de mensajes pregrabados con información sobre mantenimiento de productos.

Get it fixed, at your home or ours!

Your Home

For repair – **in your home** – of **all** major brand appliances, lawn and garden equipment, or heating and cooling systems, **no matter who made it, no matter who sold it!**

For the replacement parts, accessories and owner's manuals that you need to do-it-yourself.

For Sears professional installation of home appliances and items like garage door openers and water heaters.

1-800-4-MY-HOME[®] Anytime, day or night
(1-800-469-4663) (U.S.A. and Canada)
www.sears.com **www.sears.ca**

Our Home

For repair of carry-in products like vacuums, lawn equipment, and electronics, call or go on-line for the nearest **Sears Parts and Repair Center.**

1-800-488-1222 Anytime, day or night (U.S.A. only)
www.sears.com

To purchase a protection agreement on a product serviced by Sears:

1-800-827-6655 (U.S.A.) **1-800-361-6665** (Canada)

Para pedir servicio de reparación a domicilio, y para ordenar piezas:

1-888-SU-HOGARSM
(1-888-784-6427)

Au Canada pour service en français:

1-800-LE-FOYER^{MC}
(1-800-533-6937)
www.sears.ca

SEARS

© Sears, Roebuck and Co.

® Registered Trademark / TM Trademark / SM Service Mark of Sears, Roebuck and Co.

® Marca Registrada / TM Marca de Fábrica / SM Marca de Servicio de Sears, Roebuck and Co.

^{MC} Marque de commerce / ^{MD} Marque déposée de Sears, Roebuck and Co.